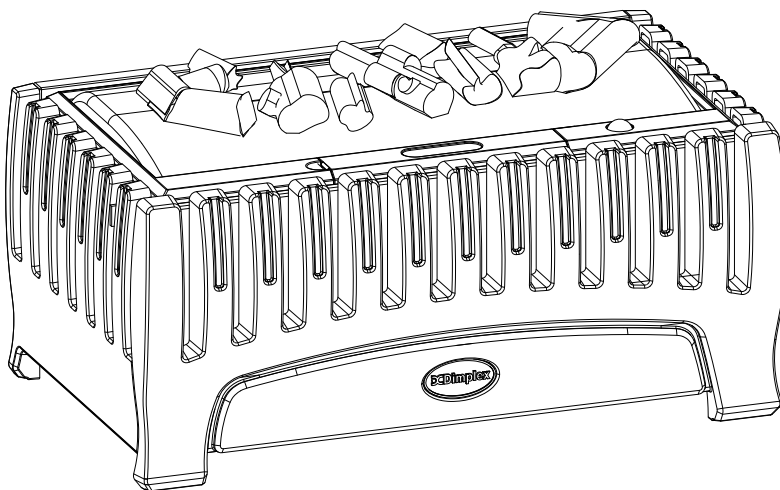
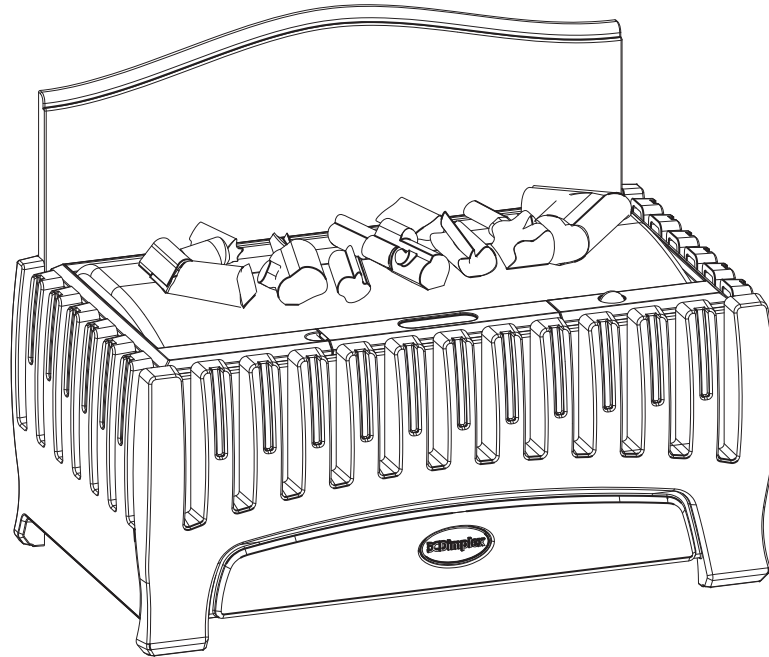


# Dimplex



## WESTBROOK WBK20

UK IT ES RU

08/35588/0 Issue 3

Fig. 1

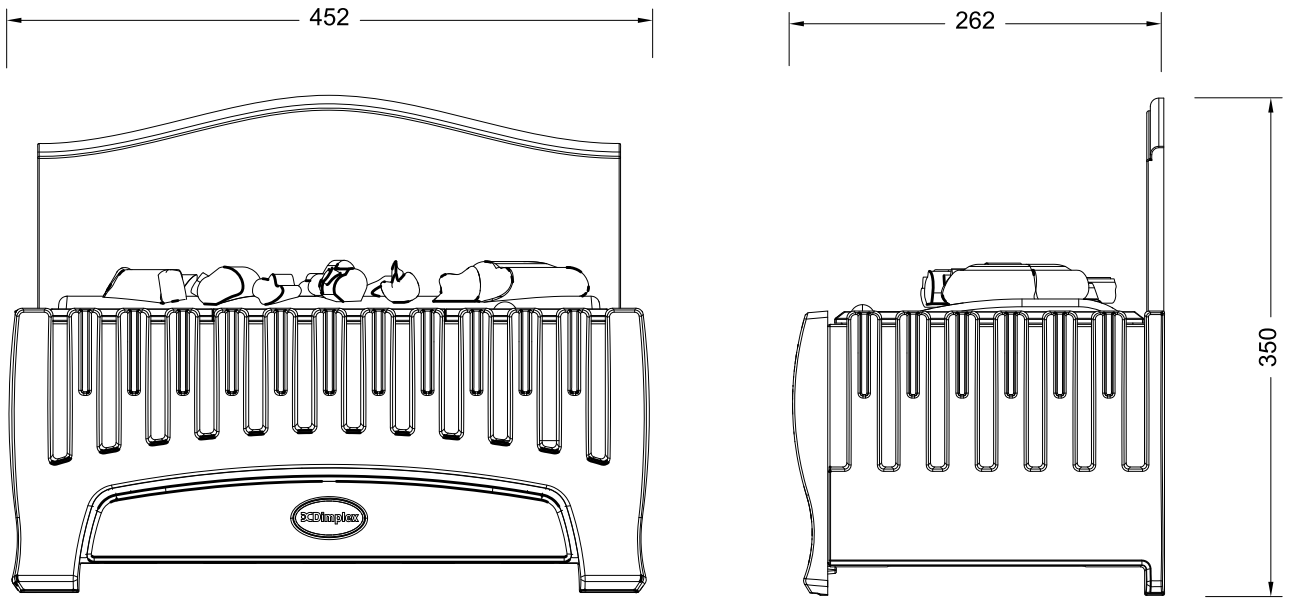


Fig. 2

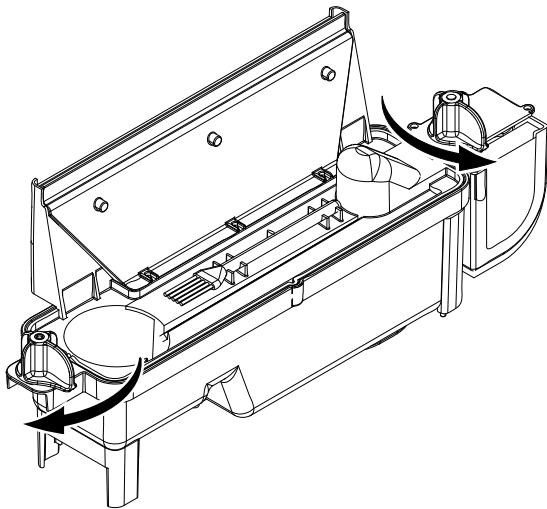


Fig. 3

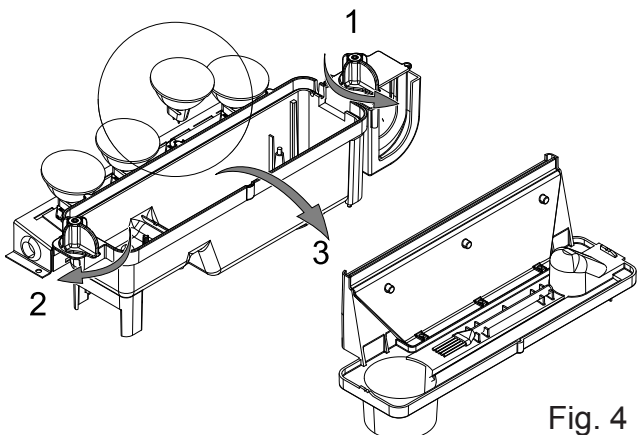
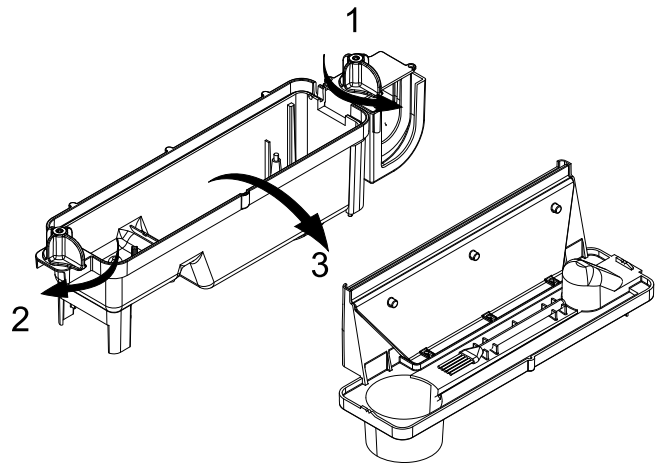


Fig. 4

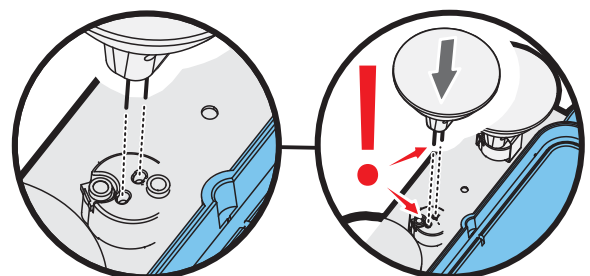


Fig. 4a

Fig. 5

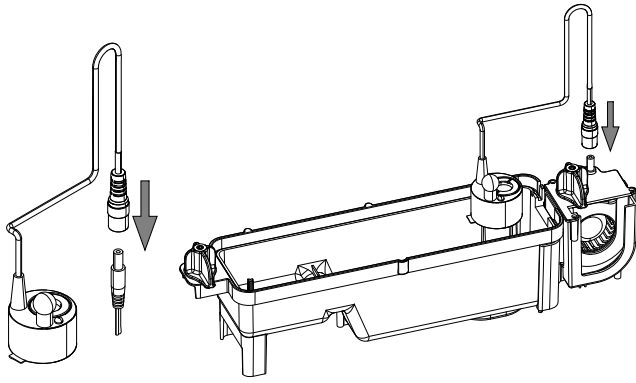


Fig. 5a

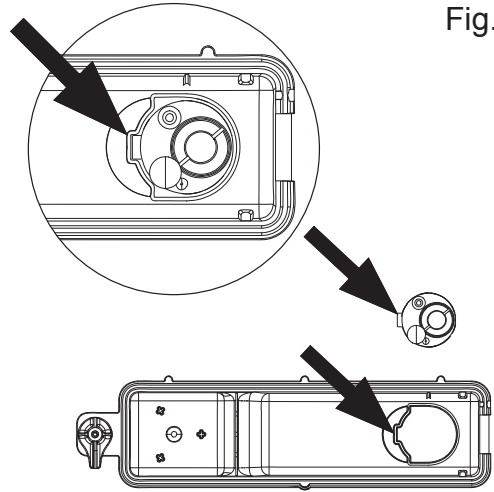


Fig. 5b

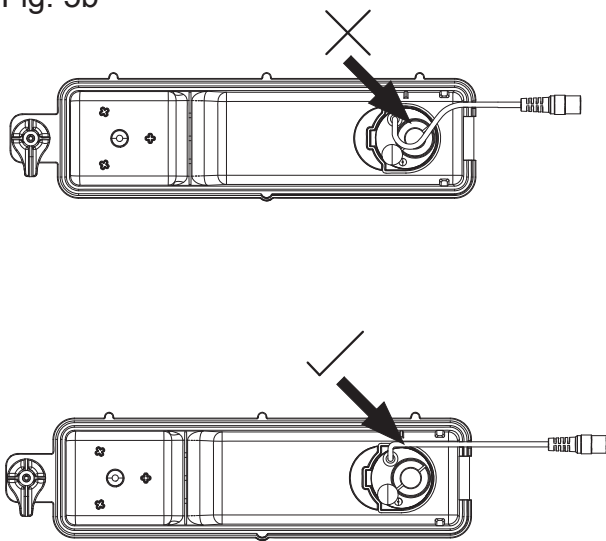


Fig. 6

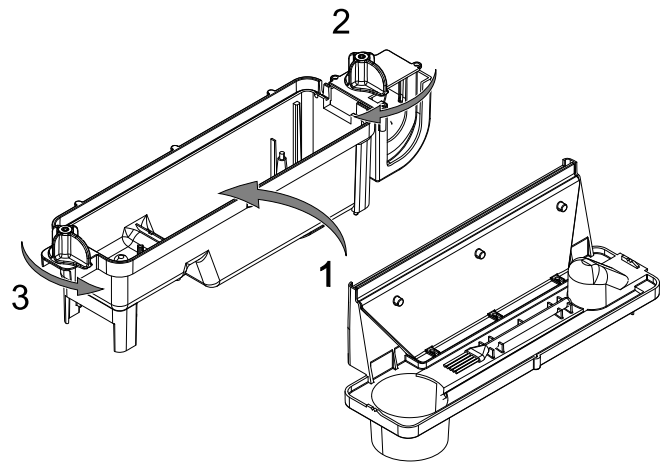


Fig. 7

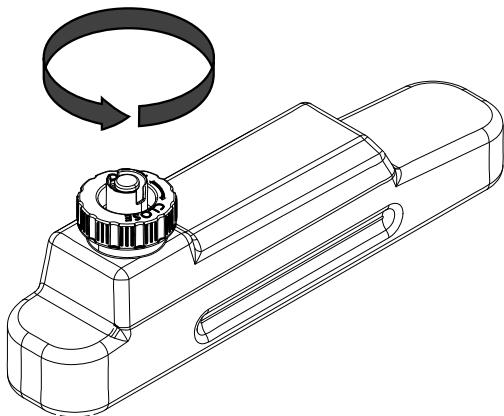


Fig. 8

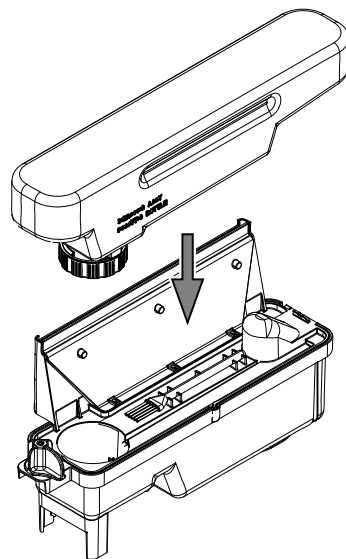


Fig. 9

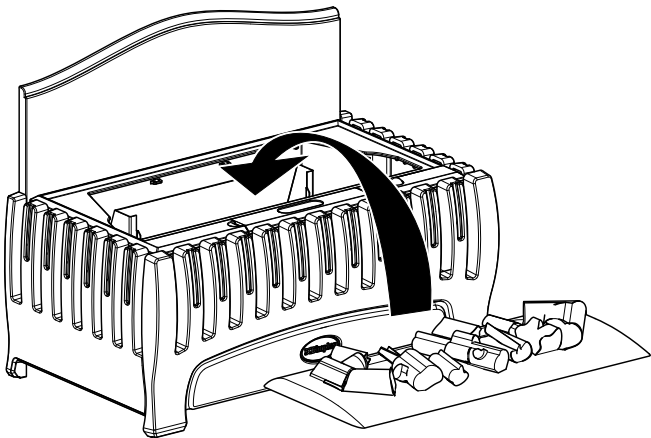


Fig. 10

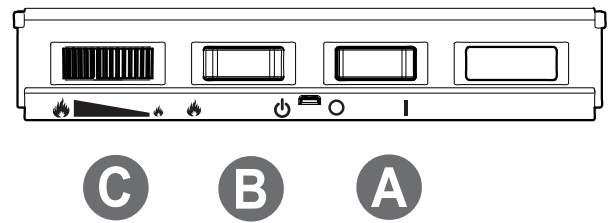


Fig. 11

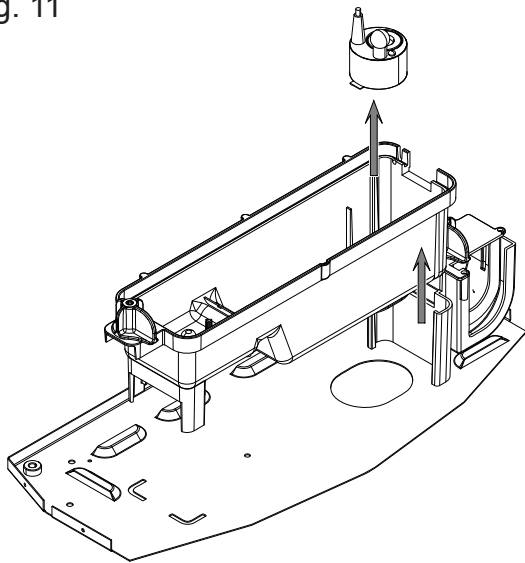


Fig. 12

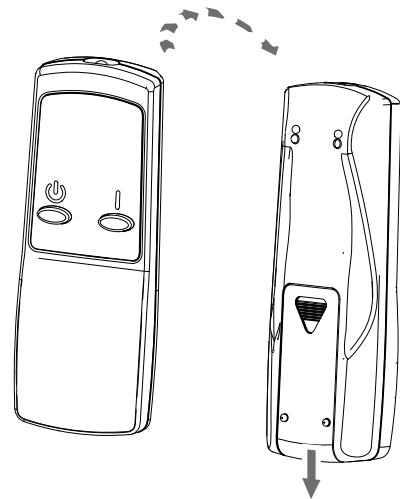


Fig. 13



Fig. 14

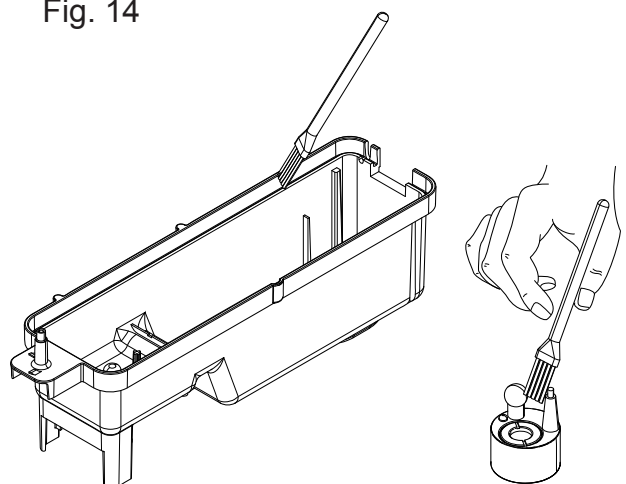


Fig. 15

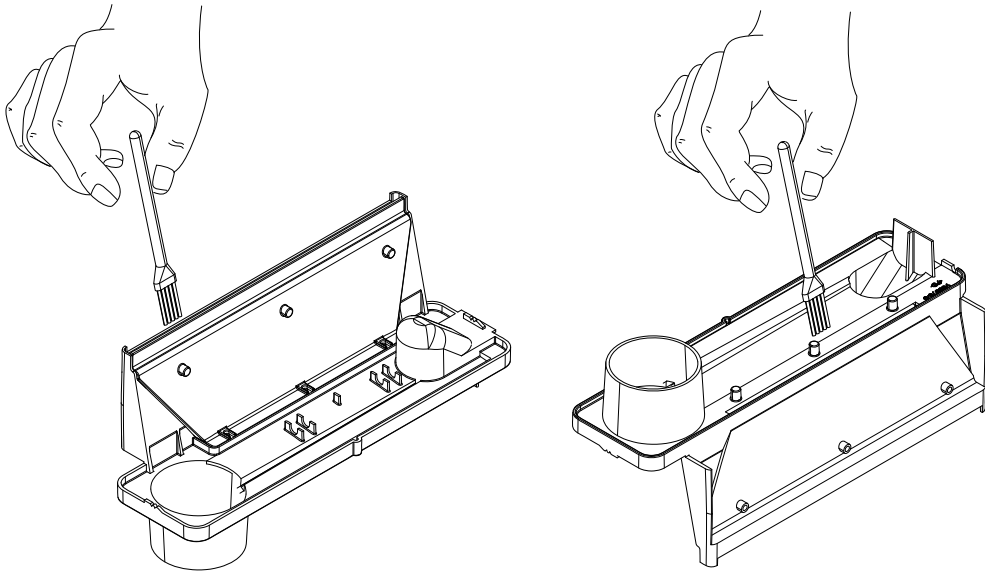


Fig. 16

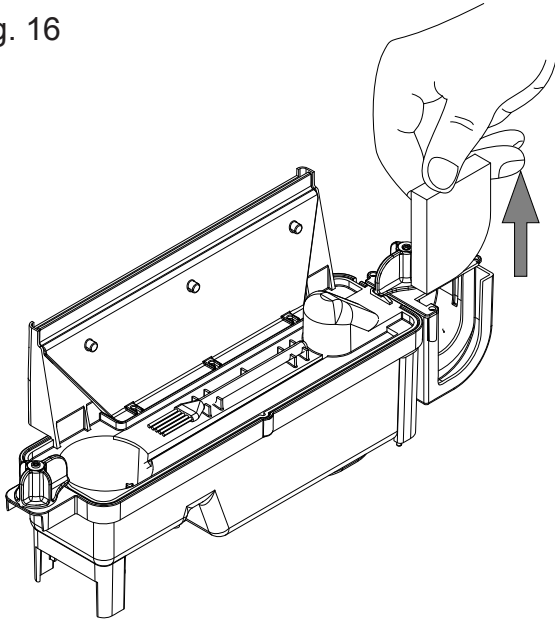


Fig. 17

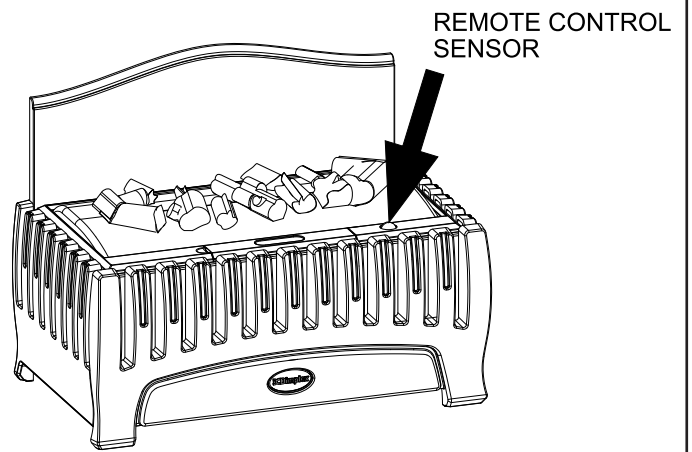
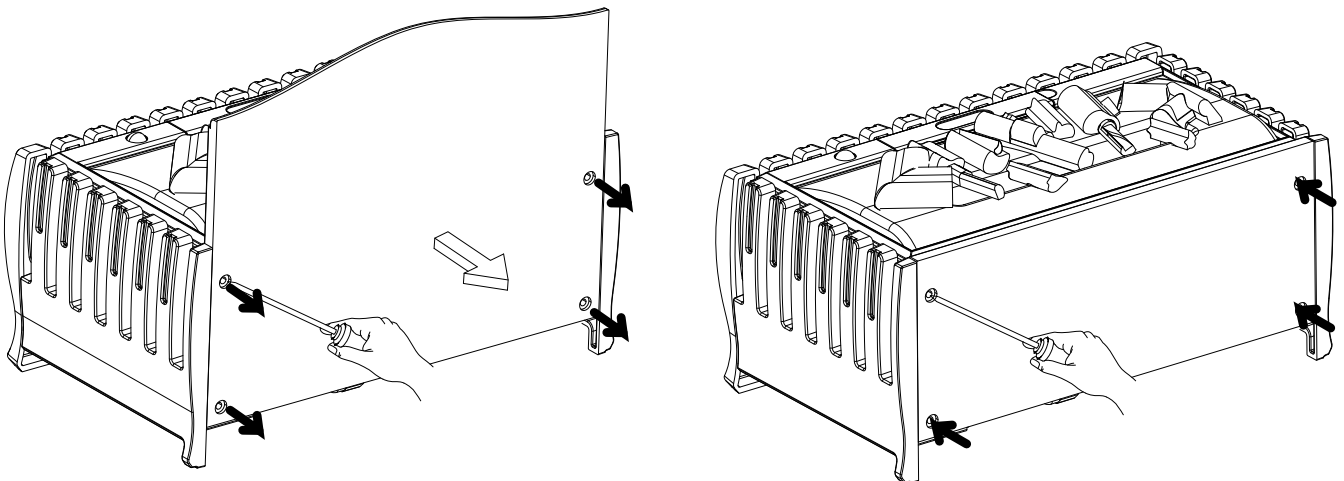


Fig. 18



UK.....	1
IT.....	7
ES.....	13
RU.....	19

## Introduction

Thank you for choosing this Dimplex electric fire. Please read this information guide carefully to be able to safely install, use and maintain your product.

## Important Safety Advice

When using electrical appliances, basic precautions should always be followed to reduce the risk of fire, electrical shock and injury to persons, including the following:

### 1. WARNING

Do not place material or garments on, or obstruct the air circulation around the appliance.



The appliance carries the Warning symbol indicating that it must not be covered.

### 2. DAMAGE

If the appliance is damaged, check with the supplier before installation and operation.

If the supply cord is damaged it must be replaced by the manufacturer or service agent or a similarly qualified person in order to avoid a hazard.

### 3. LOCATION

Do not use outdoors.

Do not use in the immediate surroundings of a bath, shower or swimming pool.

Do not locate the fire immediately below a fixed socket outlet or connection box.

Ensure that furniture, curtains or other combustible material are positioned no closer than 1 metre from the appliance.

### 4. PLUG POSITIONING

The appliance must be positioned so that the plug is accessible.

Keep the supply cord away from the front of the appliance.

### 5. UNPLUGGING

In the event of a fault unplug the device.

Unplug the device when not required for long periods.

### 6. OWNER/USER

This appliance is not intended for use by children or persons with reduced physical, sensory or mental capabilities, or lack of experience and knowledge, unless they have been given supervision or instruction concerning use of the appliance by a person responsible for their safety. Children should be supervised to ensure that they do not play with the appliance

### 7. ELECTRICITY

**WARNING – THIS APPLIANCE MUST BE EARTHED.**

This appliance must be used on an AC ~ supply only and the voltage marked on the appliance must correspond to the supply voltage.

Before switching on, please read the safety advice and operating instructions.

## General Information

Only use filtered water in this appliance.

This model is designed to be free standing and is normally positioned near a wall.

Always ensure that the appliance is sitting on a level surface.

Please note: Used in an environment where background noise is very low, it may be possible to hear a sound which is related to the operation of the flame effect. This is normal and should not be a cause for concern.

If this product experiences a power surge for whatever reason the product may cut-out. This is a normal safety feature and the product will resume operation after 30 seconds.

Once installed, never move this appliance or lay on its back, without draining the water from sump and water tank.

If you intend not using the appliance for longer than 2 weeks, drain the water from sump and water tank and dry the sump.

The water tank, sump, sump lid, tank cap and air filters must be cleaned once every two weeks, particularly in hard water areas.

The appliance should never be operated if the lamps are not working.

The lamps should be regularly inspected as described under 'Maintenance' and 'Changing lamps'.

## Installation Instructions

This section describes how to set up your fire.

### BEFORE YOU START

1. Ensure that all packing items are removed (read any warning labels carefully) and retain all packing for possible future use e.g. in the event of moving house or returning the appliance to your supplier.
2. Before connecting to the mains supply, check that the supply voltage is the same as that stated on the appliance.

### ALTERNATIVE BACK PANEL

An alternative back panel is supplied (see front page).

To take existing back panel off, unscrew 4 screws from the rear. Fit smaller back panel and refix 4 screws (Fig. 18).

### INSTALLATION

Place the appliance against a wall.

#### Connecting the Transducer Unit + Lamps

1. Release the two red tabs by turning them by 90 degrees (see Fig 2)
2. Lift out the Sump Nozzle (Fig 3)
3. Insert lamps into lamp holders (Fig 4), carefully locating the pins into the holes (Fig 4a)
4. Push lamps firmly into place
5. Place the Transducer Unit into the sump and join the cable to the connector on the sump (Fig 5)
6. To ensure that the Transducer Unit is correctly placed in the sump, the tab on the Transducer Unit should be lined up with the moulded recess in the sump (Fig 5a).
7. Ensure that the cable is not placed above the disc on the Transducer Unit (Fig 5b). To prevent the cable becoming pinched between the nozzle and the sump, place the cable in the slot in the wall of the sump.
8. Replace the Sump Nozzle and secure it by turning the two red tabs by 90 degrees (Fig 6)

#### Filling the Water Tank

9. Place Water Tank in sink and remove cap (turn anti-clockwise to open) (Fig 7)
10. Fill Water Tank with **filtered tap water only**. This is necessary to prolong the life of the flame and smoke effect producing unit. The water should be filtered through a conventional domestic water filter unit and the filter should be replaced regularly. Distilled water must **not** be used.
11. Screw the cap back on – **do not overtighten**.
12. Place the Water Tank in the Sump, with the tank cap facing down and the flat side of the tank facing outward (Fig 8)

#### Assembling the fire

13. Place the Fuelbed on top of the Water Tank and Mist Nozzle (Fig 9)

Connect the power cable to the appropriate power connector at the back of the appliance and Plug the power cable into a 13amp/240volt outlet. The appliance is now ready for use.

## Operating the Fire


This section describes how to activate your fire using either the manual controls or remote control.

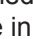
### MANUAL CONTROLS

The manual controls are located beneath the hinged flap.  
(See Fig.10 for Manual Control lay out)

Switch 'A':- Controls the electricity supply to the Fire.

Note: This switch must be in the 'ON' ( I ) position for the Fire to operate.

Switch 'B':- Press  once to turn on the flame effect. This will be indicated by an audible beep. Although the main lights operate immediately it will take a further 30 seconds before the flame effect starts.

Press  to put fire in to standby mode. This will be indicated by one beep.

Control Knob 'C':- Controls the intensity of the flame effect.

Turning the control knob to the left increases the flame effect, turning the control knob to the right will decrease the flame effect.





## GETTING THE DESIRED FLAME EFFECT

1. The flame control knob 'C' (Fig.10) may be turned up or down to give a more realistic effect.
2. Generally the flames appear more realistic when the flame control is turned down.
3. Give the flame generator time to react to changes you may make.
4. The appliance will use less water if the flame effect is set to a lower level (control knob 'C').
5. Do not tilt or move the appliance while there is water in the tank or sump.
6. Make sure that the appliance is on a level floor.

## REMOTE CONTROL OPERATION

On the control panel, Switch A (see Fig.10) must be in the 'ON' ( I ) position in order for the remote control to operate. There are 3 buttons on the remote control. (See Fig.12) To operate correctly the remote must be pointed towards the front of the grate. (See Fig 17). The remote control functions are as follows:

 Press once to turn on Flame effect.  
This will be indicated by one beep.

 Standby  
This will be indicated by one beep.

## Maintenance

### GENERAL TIPS

Only use filtered tap water in this appliance.

Always ensure that the appliance is sitting on a level surface.

If you intend not using the appliance for longer than 2 weeks, remove and empty the sump and water tank.

Once installed, never move this appliance or lay on its back, without draining the water from sump and water tank.

The appliance should never be operated if the lamps are not working.

The lamps should be regularly inspected as described under 'Changing lamps'.

### FILLING THE WATER TANK

When the water tank is empty, the flame and smoke effect shuts off and you will hear 2 audible beeps, follow these steps.

1. Press Switch 'A' to **(0)** (See Fig.10)
2. Gently lift out the fuelbed and carefully set aside.
3. Remove the water tank by lifting upwards and outwards.
4. Place the water tank in sink and remove cap, Anti-clockwise to open. (Fig 7)
5. Fill tank with **filtered tap water only**. This is necessary to prolong the life of the flame and smoke producing unit. The water should be filtered through a conventional domestic water filter unit and the filter should be replaced regularly.
6. Screw the cap back on, do not over tighten.
7. Return the tank to the sump, with the tank cap facing down and the flat side of the tank facing outward. (Fig 8)
8. Gently place the fuelbed back into position. (Fig 9)
9. Press Switch 'A' to 'ON' **(I)** position (See Fig.10)

### CHANGING LAMPS

If the flame and smoke effect appears grey or colourless it may be that one or more lamps have failed.

You can check for lamp failure as follows.

1. Leaving the flame effect on, lift out the fuelbed and water tank.
2. It should be possible to view the lamps with the nozzle in place and observe which one needs to be changed.
3. Put Switch 'A' in the 'OFF' **(0)** position, and unplug the fire from the mains.
4. Leave the appliance for 20 minutes to allow the lamps to cool down before removing them.
5. Remove the sump as described in the Cleaning Section.
6. Remove the defective lamp, by gently lifting vertically and disengaging the pins from the lamp holder, (See Fig.4 and 4a).

Replace with a Dimplex OPTIMYST, 12V, 50W, Gu5.3 base, 8° beam angle, coloured lamp. (Purchased from our website <http://spares.dimplex.co.uk>)

7. Carefully insert the two pins of the new lamp into the two holes in the lamp holder. Push firmly in place. (See Fig.4 and 4a).

8. Replace the sump, nozzle, water tank and fuelbed.

## **CLEANING**

**Warning** – Always press Switch 'A' to the 'OFF' (0) position (See Fig.10) and disconnect from the power supply before cleaning the fire.

We recommend cleaning the following components once every 2 weeks, particularly in hard water areas:-

Water Tank, Sump, Nozzle, Tank cap and seal, Air filter.

For general cleaning use a soft clean duster – never use abrasive cleaners.

To remove any accumulation of dust or fluff, the soft brush attachment of a vacuum cleaner should occasionally be used.

### **Water tank**

1. Remove water tank, as described earlier, put into sink and empty water.
2. Using the supplied brush gently rub the inside surfaces of the cap paying particular attention to the rubber ring in the outer groove and the centre rubber seal.
3. Put a small quantity of washing up liquid into the tank, refit the cap and shake well, rinse out until all traces of washing up liquid are gone.
4. Refill with filtered tap water only, replace the cap, do not overtighten.

### **Sump**

1. Press Switch 'A' to the 'OFF' (0) position
2. Gently lift out the fuelbed and place carefully on the ground.
3. Remove the water tank by lifting upwards.
4. Disconnect the electrical connector, located on the right side of the sump. (See Fig.5) .
5. Release the right sump locking tabs by turning 90°. This allows the sump to be lifted completely from its location.
6. Gently lift up the sump, taking care to keep level so as not to spill any water. Sit the assembly in the sink.
7. Release the left sump locking tabs by turning 90°, then lift off the Nozzle. (See Fig.3)
8. Lift out the transducer and carefully tilt, as shown, so that the liquid drains out of the sump. (See Fig.13)
9. Put a small amount of washing up liquid into the sump, and using the supplied brush, gently clean all surfaces in the sump and gently clean the transducer including the metal discs located in the top grooved surface. (See Fig.14)
10. When cleaned, thoroughly rinse the sump with clean water to remove all traces of washing up liquid.
11. Clean the Nozzle with the brush and flush out thoroughly with water. (See Fig.15)
12. Reverse the above steps to reassemble.

### **Air filter**

1. Gently lift out the fuelbed and place carefully on the ground.
2. Gently slide the air filter upwards out of its plastic holder. (See Fig.16)
3. Gently rinse with water in the sink and dry with fabric towel before returning.
4. Replace the filter making sure that the coarse black filter is facing the front of the fire.
5. Replace the fuelbed.

## Additional Information

### AFTER SALES SERVICE

Your product is guaranteed for 2 years from the date of purchase. Within this period, we undertake to repair or exchange this product free of charge (excluding lamps & subject to availability) provided it has been installed and operated in accordance with these instructions. Your rights under this guarantee are additional to your statutory rights, which in turn are not affected by this guarantee.

### RECYCLING



For electrical products sold within the European Community - At the end of the electrical products useful life it not be disposed of with household waste. Please recycle where facilities exist. Check with your Local Authority or retailer for recycling advice in your country.

### PATENT / PATENT APPLICATION

Products within the Optimyst range are protected by one or more of the following patents and patent applications:

Great Britain GB 2402206, GB 2460259, GB 2460453 , GB 2418014, GB 2465738, GB 2449925, GB 2465537 , GB 2455277 , GB1020534.2, GB1020537.5, GB1110987.3

United States US 7967690, US 2010299980, US 2011062250, US 2008028648, US 13/167,042

Russia RU2008140317

European EP 2029941, EP 2201301, EP 2315976, EP 1787063, EP07723217.1 , EP11170434.2, EP 11170435.9

China CN 101883953, CN 200980128666.2, CN 101057105, CN 101438104

Australia AU 2009248743, AU 2007224634

Canada CA 2725214, CA 2579444, CA 2645939

International Patent Application WO 2006027272

South Africa ZA 200808702

Mexico MX 2008011712

Korea KR 20080113235

Japan JP 2009529649

Brazil BR P10708894-9

India IN 4122/KOLNP/2008

New Zealand NZ 571900

## Troubleshooting

Symptom	Cause	Corrective Action
The flame effect will not start.	<p>Mains plug is not plugged in.</p> <p>Low water level.</p> <p>Low voltage connector not connected properly. (See Fig.5)</p> <p>The Transducer Unit is not sitting correctly in the sump</p>	<p>Check plug is connected to wall socket correctly.</p> <p>Check that the water tank is full and there is water in the sump.</p> <p>Check that the connector is inserted correctly. (See Fig.5)</p> <p>Ensure the Transducer is sitting down into the moulded recess in the sump</p>
The flame effect is too low.	<p>Flame effect control knob is set too low. (See Fig.10)</p> <p>The Metal Disc in the transducer might be dirty (See Fig.14)</p> <p>The wire from the Transducer Unit is sitting over the metal disc</p>	<p>Increase level of flame by turning Control knob 'D' to the left slowly. (See Fig.10)</p> <p>Clean the Metal Disc with soft brush supplied. (See Fig.14) See 'Maintenance.' for a step by step procedure.</p> <p>Direct the wire to the back of the sump and make sure it sits into the side slot exiting the sump.</p>
Unpleasant smell when unit is used.	<p>Dirty or stale water.</p> <p>Using unfiltered tap water.</p>	<p>Clean the unit as described under maintenance.</p> <p>Use only filtered tap water.</p>
The flame effect has too much smoke.	<p>Flame effect setting is too high.</p>	<p>Turn the flame effect Control knob 'D' to the right, about ¼ a turn, at a time. Give the flame generator some time to adjust to the new setting. (See Fig.10)</p>
Main lamps are not working and there are no flames or smoke.	<p>There is no water in the water tank</p>	<p>Follow instructions under <b>Maintenance</b>, 'Filling the water tank'.</p> <p>Check the plug is connected to the wall socket correctly and that Switch 'A' Fig. 10 is in the 'ON' ( I ) position.</p>

## Introduzione

Grazie per avere scelto un caminetto elettrico Dimplex. Si raccomanda di leggere attentamente la presente guida, che consentirà di installare, utilizzare e mantenere in sicurezza il prodotto acquistato.

## Istruzioni importanti per la sicurezza

Durante l'uso del prodotto adottare le misure di sicurezza valide per qualsiasi apparecchio elettrico, onde evitare incendi, scariche elettriche e lesioni alla persona. Prestare particolare attenzione alle seguenti raccomandazioni:

### 1. AVVERTENZA

Non collocare sull'unità materiale o capi di vestiario; non ostacolare in alcun modo la circolazione dell'aria intorno all'unità.



L'unità presenta il simbolo di avvertenza per indicare che non deve essere coperta.

### 2. DANNI

Se il prodotto risulta danneggiato, rivolgersi al fornitore prima di installarlo e utilizzarlo.

In caso di danni al cavo di alimentazione, affidare la sostituzione al produttore, a un tecnico dell'assistenza o a chiunque abbia le competenze necessarie per eseguire l'operazione in condizioni di sicurezza.

### 3. LUOGO DI UTILIZZO

Non utilizzare l'unità all'aperto.

Non utilizzare l'unità nelle immediate vicinanze di bagni, docce o piscine.

Non collocare il caminetto direttamente sotto una presa di corrente o una centralina.

Non lasciare mobili, tende o altro materiale potenzialmente infiammabile a meno di 1 metro dall'unità.

### 4. POSIZIONE DELLA SPINA

Posizionare l'unità in modo che la spina sia facilmente raggiungibile.

Tenere il cavo di alimentazione lontano dalla parte anteriore dell'unità.

### 5. SCOLLEGAMENTO DALLA RETE DI ALIMENTAZIONE

In caso di guasti, scollegare l'unità dalla presa di corrente.

Se si prevede di non utilizzare l'unità per un certo periodo, scollegarlo dalla presa di corrente.

### 6. TITOLARE/UTILIZZATORE

Il prodotto non è destinato all'uso da parte di bambini e persone in genere con ridotte capacità fisiche, sensoriali o mentali oppure da parte di soggetti che non possiedano adeguate esperienze e conoscenze, tranne casi in cui vengano istruite sull'utilizzo del prodotto o siano sottoposte alla supervisione di una persona responsabile della loro sicurezza. Sorvegliare i bambini ed evitare che giochino con l'unità.

### 7. ELETTRICITÀ

**AVVERTENZA: IL PRODOTTO DEVE ESSERE COLLEGATO A TERRA.**

Questa unità deve essere alimentata solo a corrente alternata e la tensione indicata sul prodotto deve corrispondere alla tensione di rete.

Prima dell'accensione, leggere le avvertenze per la sicurezza e le istruzioni per il funzionamento.

Per sustrud doluptat ad magna faci bla faccumsan ullan vel ea feugait alisi elit ilissen dionse corerosto dionsed min vero odipit autet nim velit amet num zzrit adiam, sit am, se ex eu feugue min volortio del dionsenibh el dignibh ex enim ver sum velit doloreet la faccummy nim iril ulla consenis nis elit aliquipit velisl dolorpe rcinciduiip ero odo od

## Informazioni generali

Utilizzare esclusivamente acqua filtrata.

Questo modello deve essere collocato in posizione verticale e, di norma, viene disposto contro una parete.

Accertarsi sempre che l'unità poggi su una superficie piana.

Nota: se l'ambiente di utilizzo è particolarmente silenzioso, è possibile percepire il rumore dell'effetto fiamma in funzione. Si tratta di un fenomeno del tutto normale, che non deve suscitare preoccupazione.

Se il prodotto è sottoposto a sovracorrente per qualsivoglia motivo, potrebbe smettere di funzionare. Si tratta di una comune misura di sicurezza; il funzionamento riprenderà dopo 30 secondi.

Dopo l'installazione non spostare l'unità e non appoggiarla sul dorso senza aver prima vuotato la vasca di raccolta e il serbatoio dell'acqua.

Se si prevede di non utilizzare l'unità per più di 2 settimane, vuotare la vasca di raccolta e il serbatoio dell'acqua e asciugare la vasca di raccolta.

Il serbatoio dell'acqua, la vasca di raccolta, il coperchio della vasca di raccolta, il tappo del serbatoio e i filtri dell'aria devono essere puliti una volta ogni due settimane, in particolare nelle zone con acqua dura.

L'unità non deve mai essere utilizzata se le lampadine non funzionano.

Le lampadine devono essere controllate regolarmente come descritto nella sezione "Manutenzione" e "Sostituzione delle lampadine".

## Istruzioni per l'installazione

Questa sezione descrive l'installazione del caminetto.

### PRIMA DI INIZIARE

1. Verificare di avere disimballato tutti gli oggetti forniti con il prodotto (leggere le eventuali etichette di avvertenza con attenzione) e conservare l'imballaggio per un possibile uso futuro, ad esempio in caso di trasloco o di restituzione del prodotto al fornitore.
2. Prima di collegare l'unità all'alimentazione, verificare che la tensione di rete corrisponda alla tensione indicata sul prodotto.

### PANNELLO POSTERIORE ALTERNATIVO

Il prodotto è dotato di un pannello posteriore alternativo (vedere pagina anteriore).

Per smontare il pannello posteriore presente, svitare le 4 viti dal retro. Montare il pannello posteriore più piccolo e serrare nuovamente le 4 viti (Fig. 18).

### INSTALLAZIONE

Collocare l'unità contro una parete.

#### Collegamento dell'unità trasduttore + lampadine

1. Aprire le due alette rosse facendole ruotare di 90 gradi (vedere Fig. 2)
2. Sollevare ed estrarre l'ugello della vasca di raccolta (Fig. 3)
3. Inserire le lampadine nei portalampada (Fig. 4), sistemando con cura i perni nei fori (Fig. 4a)
4. Spingere le lampadine saldamente in posizione
5. Collocare l'unità trasduttore nella vasca di raccolta e collegare il cavo al connettore presente sulla stessa vasca (Fig. 5)
6. Affinché l'unità trasduttore sia collocata correttamente nella vasca di raccolta, l'aletta presente sull'unità trasduttore deve essere allineata al vano sagomato della vasca di raccolta (Fig. 5a).
7. Verificare che il cavo non sia collocato al di sopra del disco sull'unità trasduttore (Fig. 5b). Per evitare che il cavo rimanga impigliato tra l'ugello e la vasca di raccolta, disporre il cavo nella fessura nella parete della vasca.
8. Sostituire l'ugello della vasca di raccolta e fissarlo ruotando le due alette rosse di 90 gradi (Fig. 6)

#### Riempimento del serbatoio dell'acqua

9. Disporre il serbatoio dell'acqua in un lavandino e rimuovere il tappo (ruotare in senso antiorario per aprire) (Fig. 7)
10. Riempire il serbatoio dell'acqua esclusivamente con **acqua di rubinetto filtrata**. Questo accorgimento è necessario per prolungare la vita dell'unità che produce la fiamma e il fumo. L'acqua deve essere filtrata mediante un comune sistema di filtraggio dell'acqua domestica e il filtro deve essere sostituito regolarmente. Non utilizzare **acqua** distillata.
11. Riavvitare il tappo: **non stringere eccessivamente**.
12. Collocare il serbatoio dell'acqua nella vasca di raccolta, con il serbatoio rivolto verso il basso e il lato piatto del serbatoio rivolto verso l'esterno (Fig. 8)

#### Assemblaggio del caminetto

13. Collocare il piano del combustibile sopra il serbatoio dell'acqua e l'ugello di vaporizzazione (Fig. 9)

Collegare il cavo di alimentazione al connettore appropriato, sulla parte posteriore dell'unità, e collegare l'unità a una presa da 13 Amp/240 Volt. Non utilizzare il dispositivo all'aperto.

## Funzionamento


Questa sezione descrive come attivare il caminetto, utilizzando i comandi manuali o il telecomando.

### COMANDI MANUALI


I comandi manuali sono situati dietro lo sportellino provvisto di cerniera (vedere Fig. 10 per la posizione dei comandi manuali).

Interruttore A: comanda l'alimentazione elettrica dell'unità.

Nota: questo interruttore deve essere in posizione "ON" ( I ) affinché l'unità possa funzionare.

Interruttore B: premere  una volta per attivare l'effetto fiamma. L'attivazione viene indicata da una segnalazione acustica. Sebbene le luci principali si attivino immediatamente, saranno necessari altri 30 secondi prima

dell'avviamento dell'effetto fiamma.

Premere  per impostare l'unità in modalità standby. Questa sarà indicata da una segnalazione acustica.

Manopola di controllo C: controlla l'intensità dell'effetto fiamma.

Ruotando la manopola di controllo a sinistra, l'effetto fiamma aumenta, ruotandola a destra, l'effetto fiamma diminuirà.

### COME OTTENERE L'EFFETTO FIAMMA DESIDERATO

1. La manopola di controllo della fiamma C (Fig. 10) può essere ruotata verso l'alto o il basso per creare un effetto più realistico.
2. Talvolta le fiamme hanno un aspetto più realistico quando la manopola di controllo della fiamma è ruotata verso il basso.
3. Lasciare al generatore di fiamma il tempo di reagire alle modifiche apportate.
4. L'unità utilizza una minore quantità d'acqua, se l'effetto fiamma è impostato su una regolazione bassa (manopola di controllo C).
5. Non inclinare o spostare l'unità se è ancora presente dell'acqua nel serbatoio o nella vasca.
6. Accertarsi che l'unità sia collocata su una superficie piana.

### FUNZIONAMENTO MEDIANTE TELECOMANDO

Sul pannello di controllo, affinché il telecomando funzioni, l'interruttore A (vedere Fig. 10) deve essere nella posizione "ON" ( I ).

Sul telecomando sono presenti 3 pulsanti (vedere Fig. 12). Per poter funzionare correttamente, il telecomando deve essere orientato verso la parte anteriore della grata (vedere Fig. 17). Funzioni del telecomando:

- Premere una volta per attivare l'effetto fiamma.  
Sarà indicata da una segnalazione acustica.



Standby

Sarà indicata da una segnalazione acustica.

## Manutenzione

### CONSIGLI GENERALI

Con questo prodotto utilizzare esclusivamente acqua di rubinetto filtrata.

Accertarsi sempre che l'unità poggia su una superficie piana.

Se si prevede di non utilizzare l'unità per più di 2 settimane, rimuovere e svuotare la vasca di raccolta e il serbatoio dell'acqua.

Dopo l'installazione non spostare l'unità e non appoggiarla sul dorso senza aver prima vuotato la vasca di raccolta e il serbatoio dell'acqua.

L'unità non deve mai essere utilizzata se le lampadine non funzionano.

Le lampadine devono essere controllate regolarmente come descritto nella sezione "Manutenzione" e "Sostituzione delle lampadine".

### RIEMPIMENTO DEL SERBATOIO DELL'ACQUA

Quando il serbatoio dell'acqua è vuoto, l'effetto fumo si interrompe e si odono due segnalazioni acustiche, attuare la seguente procedura.

1. Premere l'interruttore A su (0) (vedere Fig. 10).
2. Sollevare delicatamente il piano del combustibile e metterlo da parte prestando la dovuta attenzione.
3. Rimuovere il serbatoio dell'acqua sollevandolo verso l'alto e verso l'esterno.
4. Collocare il serbatoio dell'acqua in un lavandino e rimuovere il tappo ruotandolo in senso antiorario (Fig. 7).
5. Riempire il serbatoio esclusivamente con **acqua di rubinetto filtrata**. Questo accorgimento è necessario per prolungare la vita dell'unità che produce la fiamma e il fumo.  
L'acqua deve essere filtrata mediante un comune sistema di filtraggio dell'acqua domestica e il filtro deve essere sostituito regolarmente.
6. Riavvitare il tappo; non serrare eccessivamente.
7. Ricollocare il serbatoio nella vasca di raccolta, con il tappo rivolto verso il basso e il lato piatto del serbatoio rivolto verso l'esterno (Fig. 8).
8. Ricollocare delicatamente il piano del combustibile in posizione (Fig. 9).
9. Premere l'interruttore A su "ON" ( I ) (vedere Fig. 10).

### SOSTITUZIONE DELLE LAMPADINE

Se il fumo e l'effetto fiamma appaiono grigi o privi di colore, è possibile che una o più lampadine siano guaste.

Per verificare lo stato delle lampadine, procedere come indicato di seguito:

1. lasciando l'effetto fiamma attivo, sollevare il piano del combustibile e il serbatoio dell'acqua.
2. Dovrebbero essere visibili le lampadine con l'ugello in posizione: individuare quella che deve essere sostituita.
3. Posizionare l'interruttore A su "OFF" (0), e scollegare l'unità dalla rete di alimentazione.

4. Attendere 20 minuti per consentire alle lampadine di raffreddarsi prima di rimuoverle.
5. Rimuovere la vasca di raccolta come descritto nella sezione "Pulizia".
6. Rimuovere la lampadina guasta sollevandola delicatamente verso l'alto sganciando i perni dal portalamпада (vedere Fig. 4 e 4a).  
Sostituire con una lampadina colorata Dimplex OPTIMYST, 12V, 50 W, base Gu 5,3, angolo del raggio 8°. (Disponibile sul nostro sito web <http://spares.dimplex.co.uk>.)
7. Inserire delicatamente i due perni della nuova lampadina nei due fori del portalamпада. Spingere saldamente in posizione (vedere Fig. 4 e 4a).
8. Ricollocare in posizione la vasca di raccolta, l'ugello, il serbatoio dell'acqua e il piano del combustibile.

## **PULIZIA**

**Avvertenza:** portare sempre l'interruttore A su "OFF" (0) (vedere Fig. 10) e scollegare l'unità dalla rete di alimentazione prima di effettuare la pulizia.

Si consiglia di pulire i seguenti componenti una volta ogni 2 settimane, in particolare nelle zone con acqua dura: serbatoio dell'acqua, vasca di raccolta, ugello, tappo del serbatoio e guarnizione, filtro dell'aria.  
Per la pulizia generale, utilizzare un panno morbido per la polvere; non utilizzare in alcun caso detergenti abrasivi.  
Per eliminare accumuli di polvere o lanugine, si può utilizzare occasionalmente la spazzola di un aspirapolvere.

### **Serbatoio dell'acqua**

1. Rimuovere il serbatoio dell'acqua come descritto prima, disporlo nel lavandino e vuotarlo.
2. Utilizzando la spazzola fornita, spazzolare delicatamente le superfici interne del tappo, prestando particolare attenzione all'anello di gomma presente nella scanalatura esterna e alla guarnizione di gomma centrale.
3. Versare una piccola quantità di detergente nel serbatoio, chiudere con il tappo e agitare bene; quindi sciacquare fino a quando non sia stata rimossa ogni traccia di detergente.
4. Riempire solo con acqua filtrata di rubinetto, rimettere il tappo, non stringere eccessivamente.

### **Vasca di raccolta**

1. Portare l'interruttore A su "OFF" (0) .
2. Sollevare delicatamente il piano del combustibile e adagiarlo a terra facendo attenzione.
3. Rimuovere il serbatoio dell'acqua sollevandolo verso l'alto.
4. Scollegare il connettore elettrico, situato sul lato posteriore della vasca di raccolta (vedere Fig. 5).
5. Aprire le alette di bloccaggio della vasca di raccolta sulla destra, ruotandole di 90 gradi. Ciò consente di sollevare la vasca e asportarla completamente dalla sua posizione.
6. Sollevare delicatamente la vasca di raccolta, facendo attenzione a non inclinarla, evitando la fuoriuscita d'acqua. Collocare il gruppo in un lavandino.
7. Aprire le alette di bloccaggio della vasca di raccolta sulla sinistra eseguendo una rotazione di 90 gradi, quindi aprire l'ugello sollevandolo (vedere Fig. 3).
8. Estrarre il trasduttore e sollevare delicatamente, come mostrato in figura, in modo che il liquido fuoriesca dalla vasca di raccolta (vedere Fig. 13).
9. Versare una piccola quantità di detergente nella vasca di raccolta e usando la spazzola fornita, pulire delicatamente tutte le superfici nella vasca, quindi pulire delicatamente il trasduttore, compresi i dischi di metallo situati nella superficie scanalata superiore (vedere Fig. 14).
10. Effettuata la pulizia, risciacquare accuratamente la vasca di raccolta con acqua pulita, per rimuovere tutte le tracce di detergente.
11. Pulire l'ugello con la spazzola e sciacquare bene con acqua (vedere Fig. 15).
12. Ripetere i passaggi sopra al contrario per rimontare il gruppo.

### **Filtro dell'aria**

1. Sollevare delicatamente il piano del combustibile e adagiarlo a terra facendo attenzione.
2. Far scivolare delicatamente il filtro dell'aria verso l'alto fino a farlo uscire dal portafiltro in plastica (vedere Fig. 16).
3. Sciacquare delicatamente con acqua il lavandino e asciugare con un panno di tessuto prima del riposizionamento.
4. Riposizionare il filtro, accertandosi che il filtro grosso nero sia rivolto verso il lato anteriore dell'unità.
5. Riposizionare il piano del combustibile.



## Informazioni aggiuntive

### SERVIZIO DI POST-VENTITA

Il prodotto è garantito per 2 anno con decorrenza dalla data di acquisto. In questo arco di tempo ci impegniamo a riparare o sostituire il prodotto senza alcun addebito al cliente (salvo le lampadine e soggetto a disponibilità) purché sia stato installato e utilizzato in modo appropriato. I diritti riconosciuti dalla presente garanzia si aggiungono ai diritti di legge dell'acquirente, senza limitarli in alcun modo.

### SMALTIMENTO



Per i prodotti elettrici venduti all'interno dell'Unione Europea: al termine della vita utile dei prodotti elettrici, non deve essere smaltito con i rifiuti domestici. Si raccomanda di smaltire nelle apposite strutture. Consultare le autorità locali o il rivenditore di fiducia per avere informazioni in materia di smaltimento applicabili al proprio paese.

### BREVETTO / DOMANDA DI BREVETTO

I prodotti della linea Optimyst sono tutelati da uno o più dei seguenti brevetti e richieste di brevetto:

Gran Bretagna GB 2402206, GB 2460259, GB 2460453, GB 2418014, GB 2465738, GB 2449925, GB 2465537, GB 2455277, GB1020534.2, GB1020537.5, GB1110987.3

Stati Uniti US 7967690, US 2010299980, US 2011062250, US 2008028648, US 13/167,042

Russia RU2008140317

Europa EP 2029941, EP 2201301, EP 2315976, EP 1787063, EP07723217.1 , EP11170434.2, EP 11170435.9

Cina CN 101883953, CN 200980128666.2, CN 101057105, CN 101438104

Australia AU 2009248743, AU 2007224634

Canada CA 2725214, CA 2579444, CA 2645939

Richiesta di brevetto internazionale WO 2006027272

Sud Africa ZA 200808702

Messico MX 2008011712

Corea KR 20080113235

Giappone JP 2009529649

Brasile BR P10708894-9

India IN 4122/KOLNP/2008

Nuova Zelanda NZ 571900

## Risoluzione dei problemi

Sintomo	Causa	Azione correttiva
L'effetto fiamma non si avvia.	<p>Il cavo di alimentazione non è collegato.</p> <p>Basso livello dell'acqua.</p> <p>Il connettore a bassa tensione non è collegato correttamente (vedere Fig. 5).</p> <p>L'unità trasduttore non risiede correttamente nella vasca di raccolta</p>	<p>Verificare che la spina sia collegata correttamente alla presa di corrente.</p> <p>Verificare che il serbatoio dell'acqua sia pieno e che sia presente dell'acqua nella vasca di raccolta.</p> <p>Verificare che il connettore sia inserito correttamente (vedere Fig. 5).</p> <p>Accertarsi che il trasduttore risieda nel vano sagomato della vasca di raccolta</p>
L'effetto fiamma è troppo basso.	<p>La manopola di controllo dell'effetto fiamma è posizionata su un livello troppo basso (vedere Fig. 10).</p> <p>Il disco in metallo del trasduttore potrebbe essere sporco (vedere Fig. 14).</p> <p>Il filo dell'unità trasduttore è sopra il disco di metallo</p>	<p>Aumentare il livello della fiamma ruotando lentamente a sinistra la manopola di controllo C (vedere Fig. 10).</p> <p>Pulire il disco di metallo con la spazzola morbida fornita in dotazione (vedere Fig. 14). Vedere "Manutenzione" per i singoli passi della procedura.</p> <p>Indirizzare il filo verso il retro della vasca di raccolta e accertarsi che risieda nella scanalatura laterale che esce dalla vasca.</p>
Durante l'uso dell'unità si produce un odore sgradevole.	<p>Acqua sporca o stagnante.</p> <p>È stata usata acqua di rubinetto non filtrata.</p>	<p>Pulire l'unità come descritto nella sezione "Manutenzione".</p> <p>Utilizzare solo acqua di rubinetto filtrata.</p>
L'effetto fiamma emette troppo fumo.	L'impostazione dell'effetto fiamma è troppo alta.	Ruotare la manopola di controllo dell'effetto fiamma D in senso orario di circa ¼ di giro per volta. Concedere al generatore della fiamma il tempo necessario per adeguarsi alla nuova regolazione (vedere Fig. 10).
Le lampadine principali non funzionano e non sono presenti né fiamma né fumo.	L'acqua nel serbatoio si è esaurita	<p>Seguire le istruzioni nella sezione "<b>Manutenzione</b>", "Riempimento del serbatoio dell'acqua".</p> <p>Verificare che la spina sia collegata correttamente alla presa e che l'interruttore A di Fig. 10 sia nella posizione ( I ).</p>

## Introducción

Gracias por elegir esta chimenea eléctrica de Dimplex. Lea esta guía de información con detenimiento para instalar, utilizar y mantener el producto con total seguridad.

## Aviso de seguridad importante

Al utilizar aparatos eléctricos, deben adoptarse siempre algunas precauciones básicas para reducir el riesgo de incendio, descargas eléctricas y lesiones personales, como por ejemplo:

### 1. ADVERTENCIA

No deposite tejidos ni prendas sobre el producto, ni obstruya la circulación del aire alrededor del mismo.



El aparato lleva un símbolo de advertencia que indica que no se lo debe cubrir.

### 2. DAÑOS

Si el aparato está dañado, consulte al proveedor antes de instalarlo y ponerlo en marcha.

Si el cable de alimentación está dañado, debe ser cambiado por el fabricante, un técnico o una persona debidamente cualificada para evitar cualquier peligro.

### 3. UBICACIÓN

No lo utilice al aire libre.

No lo utilice cerca de un baño, una ducha o una piscina.

No coloque el calefactor justo debajo de una toma de corriente o de una caja de conexiones.

Compruebe que mobiliario, cortinas u otros materiales combustibles están situados a más de 1 metro de distancia del aparato.

### 4. POSICIONAMIENTO DEL ENCHUFE

Coloque el aparato de forma que el enchufe esté accesible.

Mantenga el cable de alimentación alejado de la parte delantera del aparato.

### 5. DESCONEJIÓN

En caso de que se produzca un fallo, desenchufe el dispositivo.

Desenchufe la estufa si no va a utilizarla durante un periodo prolongado de tiempo.

### 6. PROPIETARIO/USUARIO

Este dispositivo no está diseñado para ser utilizado por niños o personas con capacidades físicas, sensoriales o mentales limitadas, o con falta de experiencia y conocimiento, a menos que una persona responsable de su seguridad les supervise o instruya en el uso del aparato. Los niños deben estar vigilados para evitar que jueguen con el aparato.

### 7. ELECTRICIDAD

**ADVERTENCIA: ESTE APARATO ELÉCTRICO DEBE TENER TOMA DE TIERRA.**

Este aparato se tiene que conectar exclusivamente a una fuente de alimentación de CA ~ y la tensión indicada en el mismo debe coincidir con la tensión de alimentación.

Antes de encenderla, lea atentamente las advertencias de seguridad y las instrucciones de uso.

## Información general

Use únicamente agua filtrada en este aparato.

Este modelo está diseñado para colocarlo de pie, generalmente cerca de una pared.

Asegúrese siempre de que el aparato está apoyado en una superficie plana.

Recuerde: si utiliza el aparato en un lugar muy silencioso, es posible que escuche un ruido debido al funcionamiento del efecto de llama. Esto es algo normal y no debe ser motivo de preocupación.

Si el producto experimenta una sobretensión por cualquier motivo, es posible que se desconecte. Se trata de una medida de seguridad normal. El producto volverá a funcionar transcurridos 30 segundos.

Una vez instalado, no mueva el aparato ni lo apoye sobre su parte posterior sin extraer el agua del sumidero y el depósito de agua.

Si no tiene previsto usar el aparato durante más de dos semanas, extraiga el agua del sumidero y el depósito de agua, y seque el sumidero.

El depósito de agua, el sumidero, la tapa del sumidero, la tapa del depósito y los filtros de aire se deben limpiar cada dos semanas, especialmente en zonas de agua dura.

No se debe poner en funcionamiento el aparato si las bombillas no se encienden.

Las bombillas se deben revisar con regularidad, tal como se describe en "Mantenimiento" y "Cambio de bombillas".

## Instrucciones de instalación

En esta sección se describe cómo instalar el producto.

### ANTES DE COMENZAR

1. Asegúrese de retirar todos los elementos del embalaje (lea atentamente las etiquetas de advertencia) y conserve el embalaje para su uso posterior, por ejemplo, para cuando sea necesario transportar entre domicilios o devolver el aparato al proveedor.
2. Antes de conectar el suministro principal, compruebe que la tensión de alimentación coincida con la del aparato.

### PANEL POSTERIOR ALTERNATIVO

Se incluye un panel posterior alternativo (consulte la página frontal).

Para extraer el panel posterior existente, tan solo tiene que desatornillar los cuatro tornillos de la parte trasera. Coloque el panel posterior de tamaño más reducido y vuelva a fijar los cuatro tornillos (Fig. 18).

### INSTALACIÓN

Coloque el aparato contra la pared.

#### Conexión de la unidad del transductor + bombillas

1. Suelte las dos lengüetas rojas girándolas 90° (consulte la Fig. 2).
2. Levante hacia fuera la boquilla del sumidero (Fig. 3).
3. Introduzca las bombillas en el portalámparas (Fig. 4), fijando las clavijas cuidadosamente en los orificios (Fig. 4a).
4. Apriete las bombillas firmemente hasta que queden bien colocadas.
5. Coloque la unidad del transductor en el sumidero y una el cable al conector del sumidero (Fig. 5).
6. Para garantizar una correcta ubicación de la unidad del transductor en el sumidero, la lengüeta de la misma debe estar alineada con el encaje moldeado del sumidero (Fig. 5a).
7. Asegúrese de que el cable no está ubicado por encima del disco de la unidad del transductor (Fig. 5b). Para evitar que el cable quede pinzado entre la boquilla y el sumidero, colóquelo en la ranura de la pared del sumidero.
8. Sustituya la boquilla del sumidero y asegúrela girando 90° las dos lengüetas rojas (Fig. 6).

#### Llenado del depósito de agua

9. Coloque el depósito de agua en un fregadero y retire la tapa (gire hacia la izquierda para abrirla) (Fig. 7).
10. Llene el depósito de agua solo con **agua del grifo filtrada**. Esto es necesario para prolongar la vida útil de la unidad de generación del efecto de llama y humo. El agua debe filtrarse con una unidad de filtración de agua convencional y el filtro debe sustituirse con regularidad. El agua destilada **no** se debe utilizar.
11. Vuelva a colocar la tapa; **no apriete excesivamente**.
12. Coloque el depósito de agua en el sumidero, con la tapa del depósito mirando hacia abajo y el lado plano hacia afuera (Fig. 8).

#### Montaje de la chimenea

13. Coloque la base del combustible en la parte superior del depósito de agua y la boquilla de vaho (Fig. 9).

Conecte el cable de alimentación al conector de alimentación adecuado en la parte posterior del aparato y enchufe el cable de alimentación a una toma de corriente de 13 amp/240 voltios. El aparato ya está listo para usarse.

## Utilización de la chimenea



En esta sección se describe cómo activar la chimenea utilizando los controles manuales o el mando a distancia.

### CONTROLES MANUALES

Los controles manuales están situados detrás de la aleta basculante.  
(Para ver la distribución de los controles manuales, consulte la Fig.10).

Interruptor "A": controla el suministro eléctrico a la chimenea.

Nota: este interruptor debe estar en la posición de "ON" de encendido ( I ) para que funcione el producto.

Interruptor "B": púlselo  una vez para encender el efecto de llama. Escuchará una señal acústica. Si bien las luces principales se encenderán de inmediato, el efecto de llama tardará unos 30 segundos en empezar a funcionar. Pulse  para poner la chimenea en el modo de espera. Escuchará una señal acústica.

Regulador "C": Controla la intensidad del efecto de llama.

Gire la perilla de control hacia la izquierda para aumentar el efecto de llama, y hacia la derecha para reducirlo.

### CÓMO LOGRAR EL EFECTO DE LLAMA DESEADO

1. La perilla de control de la llama "C" (Fig. 10) puede subirse o bajarse para dar un efecto más realista.
2. Por lo general, la llama parece más real cuando se gira el control de la llama hacia abajo.
3. Deje un tiempo para que el generador de la llama reaccione a los cambios que realice.
4. El aparato utilizará menos agua si el efecto de llama se ajusta a un nivel más bajo (perilla de control "C").
5. No incline ni mueva el aparato mientras haya agua en el depósito o el sumidero.
6. Asegúrese de que el aparato está firmemente apoyado sobre una superficie plana.

### FUNCIONAMIENTO CON CONTROL REMOTO

En el panel de control, el interruptor A (consulte la Fig. 10) deberá estar en la posición "ON" de encendido ( I ) para poder usar el mando a distancia.

El mando a distancia tiene tres botones. (Consulte la Fig. 12). Para que funcione correctamente, el mando a distancia debe apuntarse hacia el frente de la rejilla. (Consulte la Fig. 17). El mando a distancia incorpora las siguientes funciones:

! Púlselo una vez para encender el efecto de llama.  
Escuchará una señal acústica.

⏸ Modo de espera  
Escuchará una señal acústica.

## Mantenimiento

### CONSEJOS GENERALES

Use únicamente agua de grifo filtrada en este aparato.

Asegúrese siempre de que el aparato está apoyado en una superficie plana.

Si no va a utilizar el aparato por un periodo superior a dos semanas, extraiga y vacíe el sumidero y el depósito de agua.

Una vez instalado, no mueva el aparato ni lo apoye sobre su parte posterior sin extraer el agua del sumidero y el depósito de agua.

No se debe poner en funcionamiento el aparato si las bombillas no se encienden.

Las bombillas se deben revisar con regularidad, tal como se describe en "Cambio de bombillas".

### LLENADO DEL DEPÓSITO DE AGUA

Cuando el depósito de agua esté vacío, los efectos de llama y humo se detengan y escuche dos señales acústicas, proceda como sigue.

1. Coloque el interruptor "A" en (0) (Consulte la Fig. 10).
  2. Saque con suavidad la base del combustible y colóquela cuidadosamente al lado.
  3. Retire el depósito de agua levantándolo hacia arriba y extrayéndolo.
  4. Coloque el depósito de agua en un fregadero y retire la tapa (gire hacia la izquierda para abrirla). (Fig. 7)
  5. Llene el depósito solo con **agua del grifo filtrada**. Esto es necesario para prolongar la vida útil de la unidad de generación de la llama y el humo.
- El agua debe filtrarse con una unidad de filtración de agua convencional y el filtro debe sustituirse con regularidad.
6. Vuelva a colocar la tapa; no apriete en exceso.
  7. Vuelva a colocar el depósito en el sumidero, con la tapa del depósito hacia abajo y el lado plano hacia afuera. (Fig. 8)
  8. Vuelva a colocar con cuidado la base del combustible en su posición. (Fig. 9)
  9. Sitúe el interruptor "A" en la posición "ON" de encendido (I) (consulte la Fig. 10).

### CAMBIO DE BOMBILLAS

Si el efecto de llama y humo parece gris o incoloro, es posible que se hayan fundido una o varias bombillas. Puede comprobar el estado de las bombillas de la siguiente manera.

1. Dejando encendido el efecto de llama, saque la base del combustible y el depósito de agua.
  2. Deben poder verse las bombillas con la boquilla puesta en su lugar para comprobar qué bombillas deben cambiarse.
  3. Sitúe el interruptor "A" en la posición "OFF" de encendido (0), y desconecte la chimenea de la red eléctrica.
  4. Deje reposar el aparato durante 20 minutos para que las bombillas se enfríen antes de retirarlas.
  5. Retire el sumidero tal como se describe en la sección Limpieza.
  6. Retire la bombilla defectuosa levantándola suavemente en vertical y desenganchando las clavijas del portalámparas (consulte las Fig. 4 y 4a).
- Sustitúyala por una bombilla tintada original OPTIMYST de Dimplex de 12 V, 50 W, base Gu5.3, ángulo de haz de luz 8°. (Se puede adquirir en nuestro sitio web <http://spares.dimplex.co.uk>).

7. Introduzca cuidadosamente las dos clavijas de la nueva bombilla en los dos orificios del portalámparas. Insértela con firmeza hasta que quede instalada. (Consulte las Fig. 4 y 4a).
8. Vuelva a colocar el sumidero, la boquilla, el depósito de agua y la base de combustible.

## **LIMPIEZA**

**Advertencia:** sitúe el interruptor "A" en la posición "OFF" de apagado **(0)** (consulte la Fig.10) y desconecte el suministro de alimentación antes de limpiar la chimenea.

Se recomienda limpiar los siguientes componentes cada 2 semanas, sobre todo en zonas de agua dura: depósito de agua, sumidero, junta, tapa y junta del depósito, filtro de agua.

Para la limpieza general, emplee una bayeta limpia y suave; nunca utilice productos de limpieza abrasivos.

Para eliminar la acumulación de polvo o pelusa, puede utilizar ocasionalmente el cepillo más suave de la aspiradora.

### **Depósito de agua**

1. Retire el depósito de agua tal como se describe más arriba, colóquelo en el fregadero y vacíe el agua.
2. Limpie suavemente las superficies interiores de la tapa con el cepillo suministrado, y preste especial atención a la junta de goma de la ranura exterior y a la junta de goma del centro.
3. Coloque una pequeña cantidad de líquido para lavavajillas en el depósito, cierre la tapa y sacuda bien; aclare hasta que desaparezca todo vestigio del líquido lavavajillas.
4. Llene el depósito con agua del grifo filtrada únicamente y cierre la tapa sin apretar en exceso.

### **Sumidero**

1. Sitúe el interruptor "A" en la posición "OFF" de apagado **(0)** .
2. Saque con suavidad la base del combustible y colóquela con cuidado en el suelo.
3. Retire el depósito de agua levantándolo hacia arriba.
4. Desenchufe el conector eléctrico, que se encuentra en la parte derecha del sumidero. (Consulte la Fig. 5).
5. Suelte las lengüetas de cierre del sumidero situadas a la derecha girándolas 90°. Esto permite levantar completamente el sumidero de su posición.
6. Levante con cuidado el sumidero, teniendo la precaución de mantenerlo horizontal para evitar que se derrame el líquido. Apoye el conjunto en el fregadero.
7. Suelte las lengüetas de cierre situadas a la izquierda del sumidero girándolas 90° y levante la boquilla. (Consulte la Fig. 3).
8. Levante el transductor e incline con cuidado, tal como se muestra, de manera que se vacíe el líquido del sumidero. (Consulte la Fig. 13).
9. Vierta una pequeña cantidad de líquido para lavavajillas en el sumidero y, con el cepillo suministrado, limpie suavemente todas las superficies y el transductor, incluidos los discos metálicos situados en la superficie ranurada superior. (Consulte la Fig. 14).
10. Una vez limpio, aclare exhaustivamente el sumidero con agua limpia para eliminar todos los vestigios de líquido para lavavajillas.
11. Limpie la boquilla con el cepillo y aclare bien con agua. (Consulte la Fig. 15).
12. Siga los pasos anteriores en sentido inverso para volver a montar el conjunto.

### **Filtro de aire**

1. Saque con suavidad la base del combustible y colóquela con cuidado en el suelo.
2. Deslice suavemente hacia arriba el filtro de aire sacándolo del soporte de plástico. (Consulte la Fig. 16).
3. Aclare con cuidado con agua en el fregadero y seque con un paño antes de volver a colocarlo.
4. Sustituya el filtro asegurándose de que el filtro negro grueso esté orientado hacia el frente de la chimenea.
5. Vuelva a colocar la base del combustible.

## Información adicional

### SERVICIO DE POSTVENTA

El producto está garantizado durante 2 años a partir de la fecha de compra. Dentro de este periodo, nos comprometemos a reparar o cambiar este producto gratuitamente (excepto las bombillas, y sujeto a disponibilidad) siempre que se haya instalado y usado de acuerdo con estas instrucciones. Sus derechos bajo las condiciones de esta garantía no sustituyen a sus derechos establecidos por la ley, que a su vez no se ven afectados por los derechos establecidos en esta garantía.

### RECICLAJE



Para los productos eléctricos vendidos en la Comunidad Europea: los productos eléctricos que han agotado su vida útil no deben desecharse junto con la basura doméstica. Recicle donde exista la posibilidad de hacerlo. Consulte a las autoridades locales o a su proveedor para obtener información acerca del reciclaje en su país.

### PATENTE/SOLICITUD DE PATENTE

Los productos de la gama Optimyst están protegidos por una o varias de las siguientes patentes y solicitudes de patente:

Gran Bretaña GB 2402206, GB 2460259, GB 2460453, GB 2418014, GB 2465738, GB 2449925, GB 2465537, GB 2455277, GB1020534.2, GB1020537.5, GB1110987.3

Estados Unidos US 7967690, US 2010299980, US 2011062250, US 2008028648, US 13/167,042

Rusia RU 2008140317

Europa EP 2029941, EP 2201301, EP 2315976, EP 1787063, EP 07723217.1, EP 11170434.2, EP 11170435.9

China CN 101883953, CN 200980128666.2, CN 101057105, CN 101438104

Australia AU 2009248743, AU 2007224634

Canadá CA 2725214, CA 2579444, CA 2645939

Solicitud de patente internacional WO 2006027272

Sudáfrica ZA 200808702

México MX 2008011712

Corea KR 20080113235

Japón JP 2009529649

Brasil BR P10708894-9

India IN 4122/KOLNP/2008

Nueva Zelanda NZ 571900

## Resolución de problemas

Síntoma	Causa	Acción correctiva
No se produce el efecto de llama.	<p>El cable de alimentación no está enchufado.</p> <p>Nivel bajo de agua.</p> <p>El conector de baja tensión no está enchufado correctamente. (Consulte la Fig. 5).</p> <p>La unidad del transductor no está correctamente colocada en el sumidero.</p>	<p>Compruebe que el enchufe está correctamente conectado a la toma de corriente.</p> <p>Compruebe que el depósito de agua está lleno y que hay agua en el sumidero.</p> <p>Compruebe que el conector está correctamente insertado. (Consulte la Fig. 5).</p> <p>Compruebe que el transductor esté bien apoyado en el encaje moldeado en el sumidero</p>
El efecto de llama es muy bajo.	<p>La perilla de control del efecto de llama está en una posición demasiado baja. (Consulte la Fig. 10).</p> <p>Es posible que el disco metálico del transductor esté sucio (Consulte la Fig.14).</p> <p>El cable de la unidad del transductor está apoyado en el disco metálico.</p>	<p>Aumente el nivel de la llama girando lentamente el regulador de control "D" hacia la izquierda. (Consulte la Fig. 10).</p> <p>Limpie el disco metálico con el cepillo suministrado. (Consulte la Fig.14). Para obtener información sobre el procedimiento detallado, consulte la sección "Mantenimiento".</p> <p>Dirija el cable a la parte posterior del sumidero y asegúrese de que se apoye en la ranura lateral que sale del sumidero.</p>
Cuando está en uso, la unidad despide un olor desagradable.	<p>Agua sucia o estancada.</p> <p>Uso de agua del grifo sin filtrar.</p>	<p>Limpie la unidad tal y como se describe en la sección de mantenimiento.</p> <p>Use únicamente agua de grifo filtrada.</p>
El efecto de llama tiene demasiado humo.	El ajuste del efecto de llama está demasiado alto.	Gire la perilla de control "D" de efecto de llama en el sentido de las agujas del reloj, aproximadamente ¼ de vuelta cada vez. Dé un poco de tiempo al generador de llama para que se ajuste a la nueva posición. (Consulte la Fig. 10).
Las bombillas principales no se encienden y no hay llamas ni humo.	No hay agua en el depósito de agua.	<p>Siga las instrucciones de <b>Mantenimiento</b>, "Llenado del depósito de agua".</p> <p>Compruebe que el enchufe esté conectado a la toma de corriente de la pared y que el interruptor "A" de la Fig. 10 esté en la posición "ON" de encendido ( I ).</p>



## Введение

Благодарим за покупку электрического камина Dimplex. Просим внимательно ознакомиться с настоящей инструкцией в целях обеспечения безопасности во время установки, работы и ухода за вашим камином.

## Важная информация по технике безопасности.

Для снижения риска воспламенения, поражения электрическим током и получения травм при использовании электроприборов необходимо соблюдать основные меры безопасности, в том числе:

### 1. ПРЕДУПРЕЖДЕНИЕ

Не кладите на камин ткань или одежду и не создавайте препятствия для циркуляции воздуха вокруг прибора.



### 2. ПОВРЕЖДЕНИЕ

Если прибор поврежден, обратитесь к поставщику, перед тем устанавливать и эксплуатировать прибор.

Если шнур питания поврежден, его замена должна производиться изготовителем, агентом по сервисному обслуживанию или аналогичным квалифицированным специалистом во избежание возникновения опасных ситуаций.

### 3. МЕСТОПОЛОЖЕНИЕ

Не используйте прибор вне помещений.

Не используйте прибор в непосредственной близости от ванной комнаты, душа или бассейна.

Не располагайте камин непосредственно под штепсельной розеткой или соединительной коробкой.

Убедитесь в том, что на расстоянии 1 м от устройства отсутствует мебель, шторы или другие воспламеняющиеся предметы.

### 4. РАСПОЛОЖЕНИЕ ВИЛКИ

Прибор следует располагать так, чтобы имелся доступ к его вилке.

Следите за тем, чтобы шнур питания не оказался в зоне перед камином.

### 5. ОТКЛЮЧЕНИЕ ИЗ РОЗЕТКИ

В случае неисправности выньте вилку прибора из розетки.

Отсоедините прибор от розетки, если он не используется в течение длительного времени.

### 6. ПОЛЬЗОВАТЕЛЬ/ВЛАДЕЛЕЦ

Данный прибор не предназначен для использования детьми или людьми с ограниченными физическими, осязательными или умственными способностями или имеющими недостаточные знания или опыт, если отсутствует контроль или не проведен инструктаж по обращению с прибором со стороны лица, ответственного за их безопасность. Следует следить, чтобы дети не играли с прибором.

### 7. ЭЛЕКТРОПИТАНИЕ

**ВНИМАНИЕ! ДАННЫЙ ПРИБОР ТРЕБУЕТ ЗАЗЕМЛЕНИЯ**

Прибор следует подключать только к источнику питания переменного тока, и напряжение, указанное на маркировке устройства, должно соответствовать фактическому напряжению питания.

Перед включением прибора ознакомьтесь с указаниями по безопасности и инструкцией по эксплуатации.

## Общая информация

Используйте для этого прибора только фильтрованную воду.

Приборы данной модели рассчитаны на установку в качестве отдельно стоящих каминов у стены.

Прибор следует устанавливать только на ровной поверхности.

Примечание: Если прибор используется в помещении с низким уровнем фонового шума, то можно услышать звук, создаваемый эффектом пламени. Это нормальное явление и не должно вызывать беспокойства.

В случае резкого перенапряжения вне зависимости от причины, прибор может отключиться. Это обеспечивает безопасность прибора, который включится в работу через 30 секунд.

После установки нельзя перемещать и опрокидывать прибор, не слив предварительно воду из поддона и бака. Если прибор не будет использоваться в течение более 2 недель, слейте воду из поддона и бака и протрите поддон.

Бак для воды, поддон, крышку поддона, пробку бака и воздушные фильтры следует очищать каждые две недели, в особенности в регионах с жесткой водой.

Нельзя использовать прибор, если лампы не работают.

Лампы следует регулярно проверять, как описано в главах «Техобслуживание» и «Замена ламп».

## Указания по установке

В настоящем разделе приведен порядок установки и настройки камина.

### ПЕРЕД НАЧАЛОМ

1. Проверьте, что вся упаковка снята (внимательно ознакомьтесь со всеми предупреждениями), сохраните упаковку на случай переезда на другое место жительства или возврата прибора в место покупки.
2. Перед подключением устройства убедитесь в том, что напряжение в сети соответствует указанному на устройстве.

### ДОПОЛНИТЕЛЬНАЯ ЗАДНЯЯ ПАНЕЛЬ

Прибор поставляется с дополнительной задней панелью (см. обложку).

Для того, чтоб снять установленную панель следует отвинтить 4 винта. Установите заднюю панель меньшего размера и завинтите обратно 4 винта (Рис. 18).

### УСТАНОВКА

Установите прибор к стене.

#### Подключение преобразователя + Ламп

1. Отсоедините два красных фиксатора поворотом на 90 градусов (см. Рис. 2)
2. Выньте насадку поддона (см. Рис. 3)
3. Вставьте лампы в патроны (см. Рис. 4), установив штырьки в отверстия (см. Рис. 4а)
4. Вдавите лампы в посадочные места.
5. Установите преобразователь в поддон и присоедините кабель к разъему на поддоне (см. Рис. 5)
6. Для обеспечения правильной установки преобразователя в поддоне фиксатор на преобразователе должен совпадать с литым углублением в поддоне (см. Рис. 5а).
7. Кабель не должен размещаться над диском преобразователя (см. Рис. 5b). Для предотвращения зажима кабеля между насадкой и поддоном кабель должен проходить через отверстие в стенке поддона.
8. Установите обратно насадку поддона и закрепите, повернув два красных фиксатора на 90 градусов (см. Рис. 6)

#### Заполнение бака для воды

9. Поставьте бак для воды в раковину и открутите пробку (повернув против часовой стрелки) (см. Рис. 7)
10. Заполните бак **только фильтрованной водопроводной водой**. Это продлит срок службы блока создания эффекта пламени и дыма. Воду следует фильтровать обычным бытовым фильтром для воды; регулярно заменяйте фильтр. Не следует **использовать** дистиллированную воду.
11. Заверните пробку - **не затягивайте слишком плотно**.
12. Установите бак на поддон так, чтобы пробка бака была обращена вниз, а плоская сторона бака — наружу (см. Рис. 8)

#### Сборка камина

13. Установите топочную корзину поверх бака с водой и распылительной насадкой (см. Рис. 9)

Подсоедините силовую кабель к соответствующему разъему на задней панели прибора и Подключите силовую кабель к розетке на 13 А / 240 В. Прибор готов к работе.

## Пользование камином


В данном разделе описывается порядок включения камина с помощью элементов ручного управления или пульта дистанционного управления.

### ЭЛЕМЕНТЫ РУЧНОГО УПРАВЛЕНИЯ

Элементы ручного управления находятся под откидной крышкой.  
(см. схему элементов ручного управления на Рис. 10)

Переключатель «А» управляет подачей питания к камину.

Примечание: Данный переключатель должен находиться в положении «ВКЛ» ( I ), чтобы камин работал.

Переключатель «В»: нажмите один  раз для включения эффекта пламени. Операция подтверждается звуковым сигналом. Хотя основные индикаторы загораются сразу же, для включения эффекта пламени требуется еще около 30 секунд.

Нажмите кнопку  для переключения камина в режим ожидания. Операция подтверждается одиночным звуковым сигналом.

Регулятор «С»: управляет интенсивностью эффекта пламени.

ри вращении регулятора влево интенсивность увеличивается, при вращении вправо - уменьшается.

## НАСТРОЙКА ЭФФЕКТА ПЛАМЕНИ

1. Регулятор пламени «С» (рис. 10) можно использовать для увеличения или снижения "пламени" для более реалистичного эффекта.
2. Пламя кажется более реалистичным, если регулятор пламени установлен в минимальное положение.
3. Генератору пламени требуется некоторое время для реакции на изменение положения регулятора пламени.
4. При установке регулятора пламени С в минимальное положение прибор потребляет меньше воды.
5. Нельзя наклонять и двигать прибор, когда в баке или поддоне есть вода.
6. Прибор следует устанавливать только на ровном полу.

## ИСПОЛЬЗОВАНИЕ ПУЛЬТА ДИСТАНЦИОННОГО УПРАВЛЕНИЯ

Для использования дистанционного управления выключатель А (см. Рис. 10) на панели управления должен находиться в положении ВКЛ. ( I ).

На пульте ДУ имеется 3 кнопки (См. Рис. 12) Для правильной работы пульт ДУ следует направлять в сторону лицевой панели каминной решетки. (см. рис. 17) Имеются следующие функции ДУ:

- Нажмите один раз для включения эффекта пламени.  
Операция подтверждается одиночным звуковым сигналом.

- ⏻ Режим ожидания  
Операция подтверждается одиночным звуковым сигналом.

## Техобслуживание

### ПОЛЕЗНЫЕ СОВЕТЫ

Используйте для этого прибора только фильтрованную воду из-под крана.

Прибор следует устанавливать только на ровной поверхности.

Если прибор не будет использоваться в течение более 2 недель, слейте воду из поддона и бака.

После установки нельзя перемещать и опрокидывать прибор, не слив предварительно воду из поддона и бака.

Нельзя использовать прибор, если лампы не работают.

Лампы следует регулярно проверять, как описано в главе «Замена ламп».

### ЗАПОЛНЕНИЕ БАКА ДЛЯ ВОДЫ

Когда бак для воды пуст, эффект пламени и дыма прекращается и раздаются 2 звуковых сигнала. Следуйте приведенным указаниям:

1. Переведите выключатель «А» в положение (0) (см. рис. 10).
2. Осторожно снимите топочную корзину и отложите ее в сторону.
3. Снимите бак для воды, приподняв и выдвинув его наружу.
4. Поставьте бак для воды в раковину и открутите пробку против часовой стрелки. (См. Рис. 7)
5. Наполняйте бак **только фильтрованной водопроводной водой**. Это продлит срок службы блока создания эффекта пламени и дыма. Воду следует фильтровать обычным бытовым фильтром для воды; регулярно заменяйте фильтр.
6. Прикрутите пробку на место, не затягивайте её слишком сильно.
7. Установите бак на поддон так, чтобы пробка бака была обращена вниз, а плоская сторона бака — наружу. (См. Рис. 8)
8. Осторожно установите топочную корзину на место. (См. Рис. 9)
9. Переведите выключатель «А» в положение «ВКЛ» (I) (см. Рис. 10).

### ЗАМЕНА ЛАМП

Если пламя или дым приобретает серый цвет или становится бесцветным, причиной этому может быть отказ одной или нескольких ламп.

Неисправности ламп можно выявить следующим образом.

1. Не выключая эффект пламени, поднимите топочную корзину и бак для воды.
2. Теперь вы можете видеть лампы с установленной насадкой и определить те, которые нуждаются в замене.
3. Переведите выключатель «А» в положение «ВЫКЛ» (0) и отключите камин от розетки.
4. Перед извлечением ламп дайте им остыть, оставив прибор на 20 минут.
5. Снимите поддон, как описано в разделе «Чистка».
6. Удалите неисправную лампу, осторожно подняв вертикально и отсоединив штырьки от патрона (см. Рис. 4 и 4а). Замените на цветную лампу Dimplex OPTIMYST, 12 В, 45 Вт, с цоколем Gu5.3 и углом расхождения светового пучка 8°. (ее можно приобрести на нашей странице в интернете <http://spares.dimplex.co.uk>)
7. Осторожно вставьте два штырька новой лампы в два отверстия в патроне. Вдавите лампу для плотной посадки (см. Рис. 4 и 4а).
8. Снова установите поддон, насадку, бак для воды и топочную корзину.

## ЧИСТКА

**Внимание** - Обязательно переведите выключатель «А» в положение «ВЫКЛ» (0) (см. Рис. 10) и отключите прибор от источника питания прежде чем приступить к его очистке.

Рекомендуем очищать следующие компоненты каждые 2 недели, особенно в регионах с жесткой водой: Бак для воды, поддон, насадку, пробку и уплотнитель бака, воздушный фильтр.

Общая чистка выполняется мягкой, чистой тряпкой - никогда не используйте абразивные чистящие средства. Для удаления скопления пыли или пуха периодически используйте насадку пылесоса в форме мягкой щетки.

### Бак для воды

1. Снимите бак для воды, как было описано ранее, поставьте его в раковину и слейте воду.
2. Прилагаемой щеткой аккуратно очистите внутренние поверхности пробки, уделяя особое внимание резиновому кольцу в наружной бороздке и центральному уплотнительному кольцу.
3. Капните немного жидкости для мытья посуды в бак, закройте пробку и хорошо встряхните, затем ополосните, удалив все остатки моющей жидкости.
4. Заливайте только фильтрованную воду. Заворачивайте пробку, не допуская ее перетягивания.

### Поддон

1. Переведите выключатель «А» в положение «ВЫКЛ» (0) .
2. Аккуратно снимите топочную корзину и поставьте ее на пол.
3. Снимите бак для воды, приподняв его вверх.
4. Отсоедините электрический разъём, расположенный с правой стороны поддона. (С. рис. 5)
5. Отсоедините фиксаторы поддона поворотом на 90 градусов. Это позволяет вынуть поддон целиком из его посадочного места.
6. Осторожно приподнимите поддон, удерживая его горизонтально, чтобы не пролить воду. Поместите весь блок в раковину
7. Разомкните левые фиксаторы поддона, повернув их на 90°, и снимите насадку. (см. рис. 3).
8. Снимите преобразователь и осторожно наклоните, как показано на иллюстрации, чтобы жидкость вытекла из поддона. (С. Рс. 13).
9. Капните немного жидкости для мытья посуды в поддон и прилагаемой щеткой аккуратно очистите все поверхности, а также преобразователь, включая металлические диски, расположенные на рифлёной поверхности. (см. рис. 14)
10. После чистки тщательно ополосните поддон чистой водой, чтобы смыть остатки моющей жидкости.
11. Очистите насадку поддона щеткой и тщательно промойте водой. (См. Рис. 15)
12. Сборка производится в обратном порядке.

### Воздушный фильтр

1. Осторожно снимите топочную корзину и поставьте ее на пол.
2. Осторожно отодвиньте воздушный фильтр вверх с пластикового держателя. (см. рис. 16)
3. Осторожно промойте его водой в раковине и вытрите полотенцем, прежде чем устанавливать на место.
4. Вставьте фильтр так, чтобы грубый фильтр черного цвета был обращен в сторону камина.
5. Установите топочную корзину на место.

## Дополнительная информация

### ПОСЛЕПРОДАЖНОЕ ОБСЛУЖИВАНИЕ

На изделие предоставляется гарантия один год с даты покупки. В течение этого времени мы обязуемся бесплатно выполнять ремонт или замену изделия (кроме ламп, с учетом наличия деталей и изделий) при условии, что установка и эксплуатация изделия выполнялись в соответствии с данными инструкциями. Ваши права по данной гарантии дополняют законные права потребителя и не ущемляют их.

За информацией о послепродажном обслуживании или технической поддержке прибора следует обращаться на сайт [www.dimplex.co.uk](http://www.dimplex.co.uk) - выберите "Обслуживание" или по телефону 0845 600 5111 (Великобритания) или 01 842 4833 (Республика Ирландия). Запасные части также можно заказать на веб-сайте. Просьба сохранить товарный чек как подтверждение покупки прибора.

### ОБРАЩЕНИЕ С ОТХОДАМИ



Электроприборы, реализуемые через торговые сети в странах Европейского союза, в конце срока службы запрещается выбрасывать вместе с бытовым мусором и отходами. Их следует сдавать в специализированный утиль, где такие точки существуют. Для получения информации о правилах утилизации в своей стране обратитесь в местные органы власти или к розничному продавцу.

## ПАТЕНТЫ И ЗАЯВКИ НА ПОЛУЧЕНИЕ ПАТЕНТОВ

Изделия Optimumyst защищены одним или сразу несколькими патентами либо заявками на получение патентов:

Великобритания GB 2402206, GB 2460259, GB 2460453, GB 2418014, GB 2465738, GB 2449925, GB 2465537, GB 2455277, GB1020534.2, GB1020537.5, GB1110987.3

США: US 7967690, US 2010299980, US 2011062250, US 2008028648, US 13/167,042

Россия: RU 2008140317

Европа: EP 2029941, EP 2201301, EP 2315976, EP 1787063, EP 07723217.1, EP 11170434.2, EP 11170435.9

Китай: CN 101883953, CN 200980128666.2, CN 101057105, CN 101438104

Австралия: AU 2009248743, AU 2007224634

Канада: CA 2725214, CA 2579444, CA 2645939

Заявка на получение международного патента: WO 2006027272

Южная Африка: ZA 200808702

Мексика: MX 2008011712

Корея: KR 20080113235

Япония: JP 2009529649

Бразилия: BR P10708894-9

Индия: IN 4122/KOLNP/2008

Новая Зеландия: NZ 571900

### Устранение неисправностей

Признак	Причина	Действия по устранению
Эффект пламени не включается.	<p>Вилка не вставлена в розетку.</p> <p>Низкий уровень воды.</p> <p>Неправильное подключение низковольтного разъема (см. рис. 5)</p> <p>Преобразователь неправильно вставлен в поддон.</p>	<p>Убедитесь в том, что вилка как следует вставлена в розетку.</p> <p>Проверьте, наполнен ли бак для воды и есть ли вода в поддоне.</p> <p>Убедитесь, что разъем подсоединен правильно (см. рис. 5)</p> <p>Убедитесь, что преобразователь установлен в литом углублении поддона.</p>
Эффект пламени слишком слабый.	<p>Регулятором выбран слишком слабый эффект пламени. (см. рис. 10).</p> <p>Возможно, загрязнен металлический диск преобразователя (см. рис. 14).</p> <p>Провод из преобразователя проходит над металлическим диском.</p>	<p>Увеличьте уровень пламени, медленно вращая регулятор «D» влево (см. рис. 10).</p> <p>Очистите металлический диск прилагаемой мягкой щеткой. (см. рис. 14). См. пошаговую инструкцию в разделе «Техобслуживание».</p> <p>Направьте провод в заднюю часть поддона и вставьте его в боковое отверстие, ведущее из поддона.</p>
Неприятный запах при использовании прибора.	<p>Грязная или застоявшаяся вода.</p> <p>Использование нефilterованной воды.</p>	<p>Очистите прибор, как описано в разделе «Техобслуживание».</p> <p>Используйте только фильтрованную водопроводную воду.</p>
Эффект пламени дает слишком много дыма.	<p>Установлен слишком сильный эффект пламени.</p>	<p>Поворачивайте регулятор пламени «D» по часовой стрелке примерно на ¼ оборота за раз. Перед увеличением настройки следует выждать некоторое время, чтобы генератор пламени отреагировал на изменение. (см. рис. 10).</p>
Основные лампы не горят, нет пламени или дыма.	<p>В баке нет воды</p>	<p>Следуйте указаниям в главах <b>Техобслуживание</b>, «Заполнение бака для воды».</p> <p>Убедитесь, что вилка правильно подсоединена к розетке, а выключатель «А» (рис. 10) находится в положении "ВКЛ" ( I ).</p>



## DE - Garantie

Die nachstehenden Ausführungen über Umfang der Garantie, Garantiefristen und die Anmeldung von Garantieansprüchen gelten ausschließlich für die Bundesrepublik Deutschland.

Wir räumen dem Käufer nach seiner Wahl zusätzlich zu den ihm gegen den Verkäufer ausstehenden gesetzlichen Gewährleistungsansprüchen einen Anspruch nach Maßgabe der nachfolgenden Garantieverpflichtung ein:

### I. Dauer und Beginn der Garantie

1. Grundsätzlich wird für jedes im Haushalt eingesetzte Gerät die auf der Garantiekarte ausgezeichnete Garantiezeit gewährt.
2. Bei gewerblicher Nutzung der von der Bauart her für den Haushalt bestimmten Geräte beträgt die Garantiezeit lediglich sechs Monate.
3. Die Garantie ist mit dem Zeitpunkt der Übergabe des Gerätes wirksam.
4. Bewahren Sie die vom Verkäufer ausgefüllte Garantie-Urkunde mit der Rechnung, dem Lieferschein oder einem anderen Kaufnachweis auf.
5. Durch Garantieleistungen tritt keine Verlängerung der ursprünglichen Garantiezeit ein.
6. Garantieansprüche können nur geltend gemacht werden, wenn die Mängelrüge innerhalb von 14 Tagen nach Entdeckung des Mangels schriftlich bei uns eingeht.

### II. Inhalt und Umfang der Garantie

1. Ihr Gerät wird sorgfältig geprüft. Für den Fall, daß der Garantieanspruch zu Recht besteht, entscheiden wir, auf welche Art der Schaden behoben werden soll / wird. Im Reparaturfall sorgen wir für eine fachgerechte Ausführung.
2. Bei der Einsendung zur Reparatur sind Garantie-Urkunde und Kaufnachweis beizufügen.
3. Innerhalb der ersten sechs Monate erbringen wir die Garantieleistungen ohne Berechnung von Nebenkosten (Fahrt- und Wegzeitkosten, Fracht- und Verpackungskosten).
4. Darüber hinausgehende Ansprüche, insbesondere Schadenersatzansprüche, sind ausgeschlossen, soweit eine Haftung nicht gesetzlich angeordnet ist.

### III. Einschränkungen der Garantie

1. Eine Garantie besteht nicht bei Fehlern oder Mängeln, die auf folgendes zurückzuführen sind:
  - a) Reparaturen und Abänderungen, die von nicht autorisierter dritter Stelle vorgenommen werden oder wurden;
  - b) äußere Einwirkungen, zum Beispiel Transportschäden, Beschädigungen durch Stoß oder Schlag, Schäden durch Witterungseinflüsse oder sonstige Naturerscheinungen;
  - c) unsachgemäße / fehlerhafte Bedienung oder Beanspruchung;
  - d) Verwendung von ungeeigneten Reinigungsmitteln, Chemikalien usw.
2. Die Garantie erstreckt sich nicht auf leicht zerbrechliche Teile, zum Beispiel Glas, Kunststoff, Glühlampen.
3. Geringfügige Änderungen gegenüber Prospekten oder Mustern oder früher gelieferter Ware gelten nicht als Mangel. Gleiches gilt bei lediglich geringfügigen Abweichungen von der Sollbeschaffenheit, die für Wert- und Gebrauchstauglichkeit des Gerätes unerheblich ist.
4. Im Ausland gelten die von unserer jeweils zuständigen Landesvertretung herausgegebenen Garantiebedingungen.

**DE - Garantie** Für dieses Gerät gelten die in dem Kaufland herausgegebenen Garantiebedingungen. Einzelheiten teilt Ihnen der Händler, bei dem Sie das Gerät gekauft haben, auf Anfrage jederzeit mit. Die Inanspruchnahme von Garantieleistungen setzt die Vorlage des Kaufbeleges und die Einhaltung der Garantiefrist voraus. Der Garantieanspruch verfällt, wenn das Gerät beschädigt, nicht sachgemäß benutzt oder unbefugte Eingriffe vorgenommen wurden.

**UK - Warranty** The warranty conditions in the country of purchase apply to this appliance. Information can be obtained at any time from the retailer from whom the appliance was purchased. For claims under guarantee the sales receipt must be produced and the claims must be forwarded within the guarantee period. The right to claim under guarantee expires in case that the device has been damaged, used in an inappropriate way or that unauthorized manipulations have been carried out.

**FR - Garantie** Pour cet appareil, les garanties applicables sont celles en vigueur dans le pays où a lieu l'achat. Votre revendeur vous en communiquera à tout moment les détails sur simple demande. La revendication au droit à la garantie est assujettie au droit à la preuve d'achat et du respect du délai de garantie. Le droit à la garantie expire lorsque l'appareil a été endommagé, utilisé de manière inadéquate ou que des interventions ont été effectuées par des tiers.

**IT - Garanzia** Per questo apparecchio valgono le condizioni di garanzia pubblicate nel Paese d'acquisto. I dettagli a riguardo vengono forniti, in ogni momento, su richiesta, dal rivenditore presso il quale viene acquistato l'apparecchio. Il diritto alla prestazione di garanzia ha come premessa l'esibizione dello scontrino di acquisto e l'osservanza del termine di garanzia. Il diritto alla copertura di garanzia non sussiste, se l'apparecchio è stato danneggiato, se non è stato utilizzato a regola d'arte e sono stati effettuati su di esso interventi non autorizzati.

**ES - Garantía** Para este aparato tienen validez las condiciones de garantía entregadas en el país de compra. En caso de preguntas, el vendedor al que usted compró el aparato, estará en todo momento dispuesto a informarle sobre los detalles al respecto. La solicitud de prestaciones que estén incluidas en las disposiciones de garantía presupone, que usted presente el ticket de compra y que haga su solicitud en el plazo de garantía. Los derechos de garantía caducan, si el aparato se ha dañado, si se ha utilizado de manera inadecuada, o si en él se han efectuado intervenciones desautorizadas.

**PT - Garantia** As condições de garantia do país de compra aplicam-se a este aparelho. Pode obter informação em qualquer altura do retalhista de onde adquiriu o aparelho. Todas as reclamações ao abrigo da garantia terão de se fazer acompanhar do documento comprovativo da compra e de serem enviadas dentro do período da garantia. O direito de reclamação ao abrigo da garantia expira no caso do aparelho ter sido danificado, utilizado de forma incorrecta ou de se terem efectuado manipulações não autorizadas.

**NL - Garantie** Voor dit apparaat gelden de in het koopland uitgegeven garantievoorwaarden. Details deelt U uw dealer, waar U het apparaat heeft gekocht, op aanvraag altijd mee. De gebruikmaking van garantievoorwaarden vereist het overleggen van het koopbewijs en de nakoming van de garantietermijn. De garantieclaim vervalt, wanneer het apparaat werd beschadigd, niet juist werd gebruikt of onbevoegde ingrepen werden uitgevoerd.

**DK - Garanti** Apparatet er omfattet af de garantibetingelser, som er gældende i købslandet. Nærmere detaljer kan fås hos den forhandler, hvor du har købt apparatet. Der kan kun stottes ret på garantien ved forebyggelse af købskvisitering og kun inden for garantiperioden. Garantien bortfalder, hvis apparatet er blevet beskadiget, anvendt forkert eller i tilfælde af uautoriseret indgreb i apparatet.

**SE - Garanti** För denna apparat gäller de för inköpslandet utgivna garantibestämmelserna. På förfrågan kan detaljerna i garantibestämmelserna erhållas från inköpsstället där apparaten har köpts. Om garantin tas i anspråk måste inköpskvitto kunna uppvisas inom garantitiden. Alla garantianspråk

**NO - Garanti** For dette apparatet gjelder kun de betingelsene som er offentliggjort i forretningen det er kjøpt. Detaljer ang. dette kan man til enhver tid få hos den fagforhandleren hvor du har kjøpt apparatet. For å ha fulle garantirettigheter må man kunne fremlegge kvitteringen og garantifristen må ikke være utløpt. Garantien gjelder ikke når apparatet er skadet, ikke er brukt etter forskriftene eller ukvalifiserte innrep er foretatt.

**FI - Takuu** Laitteella on ostomaassa voimassa olevat takuuehdot. Yksityiskohdat näistä ehdoista ilmoittaa sinulle kauppias, jolta olet laitteen ostanut. Takuusuorituksia voi vaatia takuuajan ollessa voimassa esittämällä ostodokumentin. Takuu ei ole voimassa, mikäli laitetta on käytetty sen ollessa vaurioitunut, sitä on käytetty väärin tai ammatitaidoton henkilö on korjannut laitetta.

**PL - Gwarancja** Dla tego urządzenia obowiązują warunki gwarancji wydane w kraju zakupu. W każdej chwili sprzedawca, u którego dokonano zakupu urządzenia, przekaże Państwu odpowiednią szczegółową Wykorzystanie świadczeń gwarancyjnych jest uwarunkowane przedłożeniem potwierdzenia zakupu i zachowaniem terminu gwarancji. Prawo do gwarancji przepada, gdy urządzenie zostanie uszkodzone, nieoprawnie używane lub dokonane zostaną niedozwolone manipulacje.

**CZ - Záruka** Pro tento přístroj jsou platné záruční podmínky, které byly vydány v zemi kupujícího. S podrobnostmi Vás kdykoliv na požádání seznámí Váš prodejce, u kterého jste přístroj zakoupili. Uznání záruky předpokládá předložení dokladu o koupi a dodržení záruční lhůty. Nárok na záruku propadá, je-li přístroj poškozený, neodborně provozovaný a nebo byly-li na něm provedeny neodborné zásahy.

**LV - Garantijs** Ģai ierīci ir spēkā pirēja valstī izdotie garantijas noteikumi. Par to jūs sīkāk informācija saņemsiest veikālā, kurā jūs do ierīci nopirkāt. Garantijas pieteikšanās jums ir nepieciešama pirkšanas kvīts. Bez tam ir svarīgi, lai garantijas termiņā nebūtu notēcijas. Garantijs netiek sniegta, ja jūs ierīci sabojājāt, ekspluatējāt neatbilstoši lietošanas instrukcijai, veicāt patvaļīgi demontāžu vai mēcinājāt padī to remontēt.

**SI - Garancija** Za to napravvo veljajo garancijski pogoji izdani v državi nakupa. Na vašo željo vas bo o podrobnostih kadarkoli obvestil trgovec, pri katerem ste kupili napravo. Pogoj za uveljavljanje storitev določenih v garanciji je predložitev računa in upoštevanje garancijskega roka. Pravica do garancije zapade, če je naprava poškodovana, če naprava ni bila ustrezno uporabljana ali če so bili izvedeni nepooblaščen posegi v napravo.

**SK - Záruka** Pre tento prístroj platia záručné podmienky vydané v krajine jeho zakúpenia. S podrobnosťami Vás na požiadanie kedykoľvek zoznámí predajca, u ktorého ste prístroj zakúpili. Nárok na záručné služby predpokladá predloženie dokladu o kúpe a dodržanie záručnej lehoty. Nárok na záruku zaniká, ak bol prístroj poškodený, neodbornou používaním alebo na ňom boli urobené neoprávnené zásahy.

**LT - Garantija** Ėiam prietaisui galioja pirmko dalyje ideistos garantijos slygos. Jums pasiteiravus bet kuriuo metu pardavėjas, pas kurą Jus pirkote prietaisf, informuos apie smulkmenas. Garantijos vykdymo pasinaudojimo slyga yra kasos čekio pateikimas ir garantinio termino idlaikymas. Garantinis reikalavimas pasibaigia, jeigu prietaisas sugadintas, netinkamai buvo naudotas arba buvo atlikti neleistini askidimai.

**EE - Garanti** Seadme kohta kehtivad selle riigi garantitingimused, kus seade on ostetud. Seadme edasimüüja annab Teile põhjalikku informatsiooni garantii üksikasjade kohta. Garantiteenuste osutamise aluseks garantiata jooksul on ostudokument. Garantii ei kehti, kui seade on kahjustunud, seda on kasutatud ebaosttarbiseiselt või seadet on demonteeritud.

**HU - Garancia** A készülékre a vásárlási országban kiadott garanciális feltételek érvényesek. Ennek részleteiről kérésre szívesen nyújt információt az a kereskedő, akitől a készüléket vásárolta. A garanciális teljesítés igénybe vételének előfeltétele a vásárlási bizonylat bemutatása és a garanciális határidő betartása. A garanciális igény nem érvényes, ha a készülék sérült, nem szakszerűen használták vagy illetéktelen beavatkozásokot végeztek rajta.


**HR - Jamstvo** Uvjeti jamstva koji važe u državi kupnje važe i za ovaj uređaj. Podaci se mogu dobiti u svako doba od dobavljača od kojega ste kupili proizvod. Za zahtjeve po osnovi jamstva morate priložiti račun koji ste dobili pri kupnji, a zahtjev treba podnijeti u toku trajanja jamstvenog perioda. Pravo iz jamstva isticu u slučaju da je uređaj oštećen, korišten na neodgovarajući način ili su na njemu provedene neovlaštene popravke.

**GR - Εγγύηση** Για την παρούσα συσκευή ισχύουν οι κανονισμοί εγγύησης του ισχύουσιν στην χώρα όπου αγοράστηκε. Λεπτομέρειες για τις παρεχόμενες υπηρεσίες από τον οποίο προμηθευτήκατε την συσκευή οποιαδήποτε στιγμή του το ζητήσετε. Απαραίτητες προϋποθέσεις για την διεκδίκηση παροχών που περιλαμβάνονται στην εγγύηση είναι η αποδείξη αγοράς και η τήρηση της προθεσμίας εγγύησης. Η εγγύηση εκπίπτει εφόσον η συσκευή υπέστη βλάβη, δεν χρησιμοποιήθηκε ορθά ή έλαβαν χώρα επεμβάσεις σε αυτή από μη εξουσιοδοτημένο προσωπικό.

**BG - гаранция** За настоящия уред вадат гаранционните условия, валидни за страната, в която е купен. С подробностите ще Ви запознае продавачът, от който сте купили уреда и към който Вие можете да се обърнете по всяко време. За да се предоставят гаранционни услуги, е необходимо да се представи документът за закупуване и да не е изтекъл гаранционният срок. Гаранцията се губи, ако уредът е повреден, неправилно използван или с недопустими изменения.

**RU - Гарантия** В отношении этого прибора действительны условия гарантии, предоставленные в стране приобретения. Более подробную информацию по вашему запросу в любое время предоставит магазин, в котором вы приобрели прибор. Для гарантийного обслуживания необходимо в течение гарантийного срока предъявить квитанцию о покупке. Гарантия утрачивает силу, если прибор был поврежден, использовался ненадлежащим образом или был подвергнут недовольным вмешательствам.

**KZ Кепілдік** Мынау аспапқа сатып алған мемлекетте шыққан гарантиялы шарттар жарамды. Аспапты сатып алған сатушыны сұратсаңыз, әрдайым нақтылықтарды айтып береді. Гарантиялы міндеттемені пайдалану үшін сатып алған қасалық чекі болуы және гарантиялы мерзімін өткізіп алмауы керек. Аспап сынық, дұрыс пайдаланбаған немесе арнаулы емес талдаулар өткізілген болса гарантия правосы жарамсыз.

<b>1. Warranty Card</b>  	<b>2. Guarantee Period (in Years)</b>  2	<b>3. Model(s)</b>	<b>4. Date of Purchase</b>
<b>5. Stamp &amp; Signature of retailer</b>	<b>6. Fault/Defect</b>		
<b>7. Contact Number &amp; Address</b>			
<b>DE</b> Glen Dimplex Deutschland GmbH ewt-Kundendienst ☎ +49 (911) 1805 / 398 346 Fax. +49 (911) 1805 / 355 467 (14Ct./Min aus dem dt. Festnetz) Mobilfunkpreise koennen abweichen service@glendimplex.de	<b>UK</b> <a href="http://www.dimplex.co.uk">www.dimplex.co.uk</a> ☎ (+44) 0845 600 5111 Fax. (+44) 01489 773050 A division of the GDC Group Ltd.	<b>UA</b> <b>Контакты предста  вительства Dimplex на  территории Украины</b> г. Киев, ул. Обсерваторная, 13/15 <b>+38 (044) 221 - 17 - 37</b> <b>+38 (050) 500 - 17 - 37</b> <b>+38 (097) 500 - 17 - 37</b> <a href="http://www.dimplex-kaminy.com.ua">www.dimplex-kaminy.com.ua</a> <a href="mailto:shop@dimplex-kaminy.com.ua">shop@dimplex-kaminy.com.ua</a>	<b>IT</b> Glen-Dimplex Italia S.r.l. via delle Rose 7, 24040 Iallio (BG) ☎ 035-201042 Fax. 035-200492 info@glendimplex.it
<b>ES</b> Glen Dimplex España S.L. C/ Bailén, 20, 4º, 2ª e-08010 BARCELONA ☎ (+34) 93.238.61.59 Fax. (+34) 932384375	<b>NL</b> Glen Dimplex Benelux B.V. – Netherlands Antennestraat 84 1322 AS Almere, Nederland E-mail: info@glendimplex.nl www.glendimplex.nl	<b>FR</b> Glen Dimplex France ZI Petite Montagne Sud 12 rue des Cévennes 91017 EVRY - LISSES <a href="http://www.glendimplex-france.fr">www.glendimplex-france.fr</a>	

**UK**

1. Warranty Card
2. Guarantee Period (in Years)
3. Model(s)
4. Date of Purchase
5. Stamp & Signature of retailer
6. Fault/Defect
7. Contact Number & Address

**DE**

1. Garantiekarte
2. Garantiezeitraum (in Jahre)
3. Modell(e)
4. Kaufdatum
5. Stempel & Unterschrift des Einzelhändlers
6. Fehler/Defekt
7. Kontakt-Tel.-Nr. & - Anschrift

**FR**

1. Bon de garantie
2. Période de garantie (en années)
3. Modèle(s)
4. Date d'achat
5. Cachet et signature du vendeur
6. Anomalie/Défaut
7. Nom et adresse du contact

**IT**

1. Scheda di garanzia
2. Periodo di garanzia (in anni)
3. Modello(i)
4. Data di acquisto
5. Timbro e firma del rivenditore
6. Guasto/difetto
7. Indirizzo e numero di contatto

**ES**

1. Tarjeta de garantía
2. Período de garantía (en años)
3. Modelo(s)
4. Fecha de adquisición
5. Sello y firma del distribuidor
6. Avería/Defecto
7. Número y dirección de contacto

**PT**

1. Cartão de Garantia
2. Período de Garantia (em anos)
3. Modelo(s)
4. Data de Compra
5. Carimbo e Assinatura do retalhista
6. Falha/Defeito

**NL**

1. Garantiebewijs
2. Garantieperiode (in jaren)
3. Model(len)
4. Aankoopdatum
5. Stempel & Ondertekening detaillist
6. Fout/Defect

**DK**

1. Garantikort
2. Garantiperiode (i år)
3. Model(ler)
4. Købsdato
5. Detailhandlers stempel & underskrift

**SE**

1. Garantikort
2. Garantitid (i år)
3. Modell(er)
4. Inköpsdag
5. Återförsäljarens stämpel och underskrift 6. Fel 7. Telefonnummer och adress för kontakt

**NO**

1. Garantikort
2. Garantiperiode (i år)
3. Modell(er)
4. Kjøpsdato
5. Selgers stempel og signatur

**FI**

1. Takuukortti
2. Takuuaika (vuosina)
3. Malli(t)
4. Ostopäivämäärä
5. Myyntiliikkeen leima ja allekirjoitus
6. Vika/vaurio
7. Yhteysnumero ja osoite

**PL**

1. Karta gwarancyjna
2. Okres gwarancji (w latach)
3. Model(e)
4. Data zakupu
5. Pieczęć i podpis sprzedawcy
6. Usterka
7. Telefon i adres kontaktowy

**CZ**

1. Záruční list
2. Záruční doba (roky)
3. Model(y)
4. Datum zakoupení
5. Razítko a podpis prodejce
6. Porucha/chyba
7. Kontaktní číslo a adresa

**LV**

1. Garantijas talons
2. Garantijas periods (gadi)
3. Modelis(li)
4. Legades datums
5. Mazumtirgotāja zimogs un paraksts
6. Bojajums/defekts
7. Kontakttālrunis un adrese

**SI**

1. Garancijski list
2. Obdobje veljavnosti garancije (v letih)
3. Model(i)
4. Datum nakupa
5. Žig in podpis prodajalca
6. Pomanjkljivost/okvara
7. Kontaktna številka in naslov

**SK**

1. Záručný list
2. Záručné obdobie (v rokoch)
3. Model(y)
4. Dátum kúpy
5. Pечат & Podpis obchodníka
6. Porucha/závada
7. Kontaktné číslo & adresu

**LT**

1. Garantijos kortele
2. Garantijos laikotarpis (metais)
3. Modelis (modeliai)
4. Pirkimo data
5. Prekybininko antspaudas ir parašas
6. Gedimas / defektas
7. Numeris ir adresas kontaktams

**EE**

1. Garantikaart
2. Garantiaeg (aastates)
3. Mudel(id)
4. Ostukuupäev
5. Kaupluse tempel & allkiri
6. Viga/defekt
7. Kontaktnumber & aadress

**HU**

1. Garancialevél
2. Garancia idotartama (években)
3. Modell(ek)
4. Vásártás időpontja
5. Eladó bélyegzője és aláírása
6. Hiba/Hiány megnevezése
7. Értéktési telefonszám és cím

**HR**

1. Jamstvena kartica
2. Jamstveni period (u godinama)
3. Model(i)
4. Datum kupnje
5. Pечат i potpis dobavljača
6. Kvar/defekt
7. Broj i adresa za kontakt

**GR**

1. Κάρτα εγγύησης
2. Περίοδος ισχύος της εγγύησης (έτη)
3. Μοντέλο(α)
4. Ημερομηνία αγοράς
5. Σφραγίδα και υπογραφή εμπόρου 6. Σφάλμα/Ελάττωμα 7. Αριθμός τηλεφώνου και

**BG**

1. Гаранционна карта
2. Гаранционен период (в години)
3. Модел(и)
4. Дата на покупка
5. Печат и подпис на търговеца 6. Неизправност/Дефект 7. Адрес и телефон за контакт

**RU**

1. Гарантийная карта
2. Срок действия гарантии(в годах)
3. Модель (модели)
4. Дата покупки
5. Штамп и подпись ознiчного продавца 6. Неисправность/дефект 7. Номер контактного телефона и адрес

1. Кеңілдік картасы
2. Кеңілдік мерзімі
3. Үлгі(лер)
4. Сатылған күні
5. Сатушының мөрі мен қолтаңбасы
6. Кемістік/Ақаулық
7. Байланыс телефоны және мекен-жайы